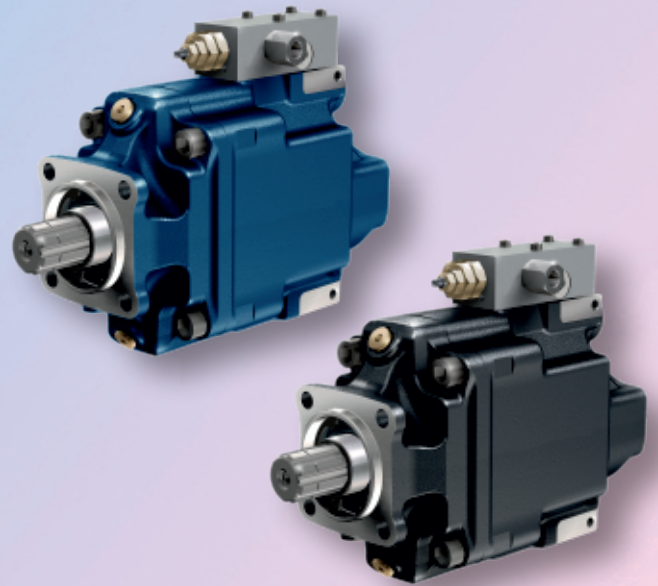
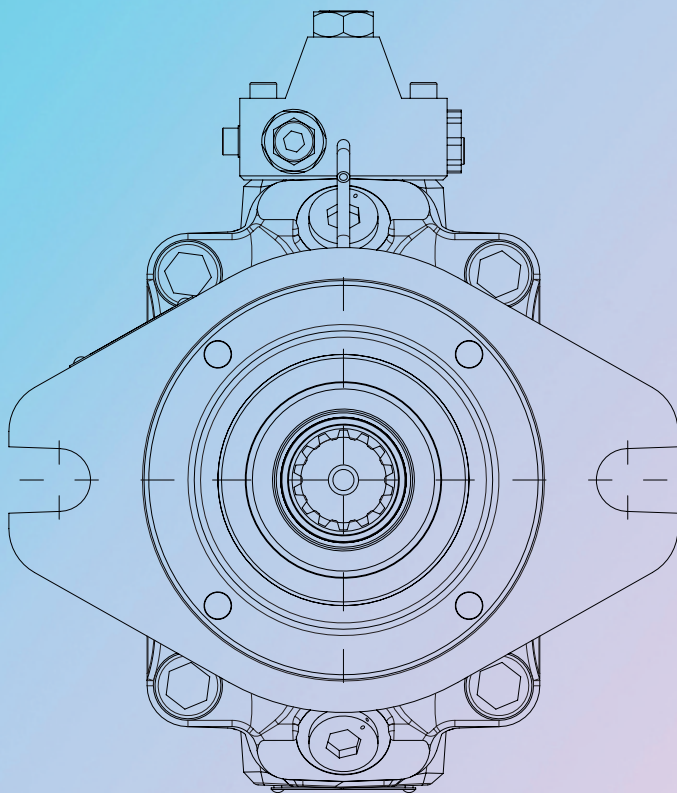


AXVA (SAE) Variable Displacement Piston Pumps -2022-

New Development Variable Displacement Piston Pumps, High Pressure Pumps,
380/420 BAR Working Pressure. High Rotational Speed, High Efficiency,
Slim Design, Cast Iron Pump Body, Re-Designed in 2022.

Designation;

40cc, 60cc, 75cc, 92cc, 120cc



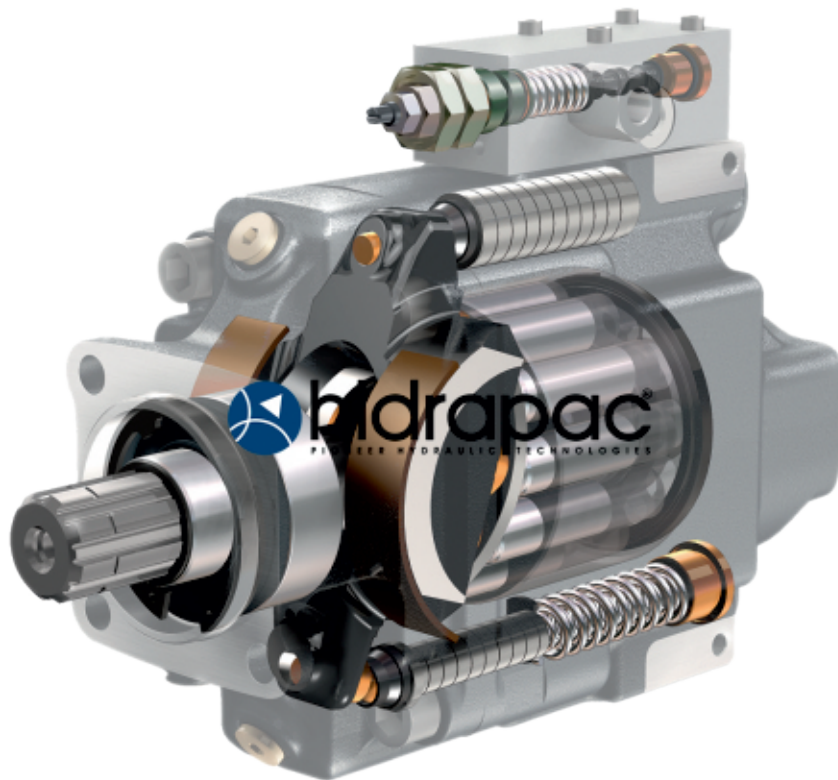
**New Design-
New Development
Variable Piston Pumps**

Hidrapac **Store**

www.HIDRAPAC.com.tr

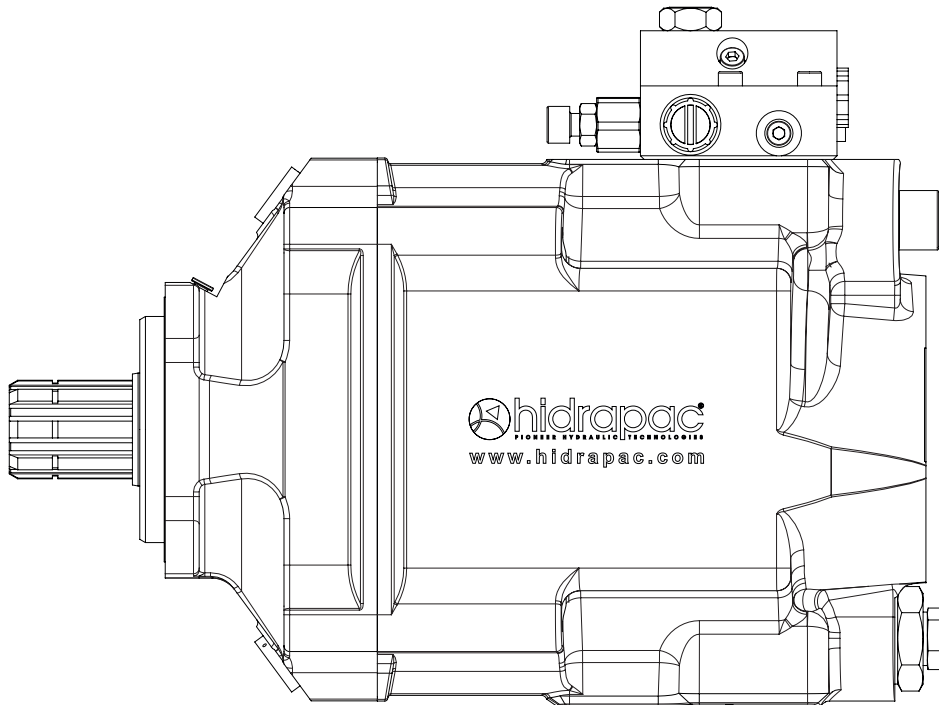
Characteristics of the AXVA (SAE) Variable Dsplcmnt Piston Pumps

Pump MODEL	DISPL. (cc)	MAX. OPERATING PRESSURE (bar)	MAX. PEAK PRESSURE INTERMITTNT (bar)	TORQUE AT 300 BAR (N.m)	MAX.SPEED AT FULL DISPLACMNT (rpm)	MAX. SPEED IN STAND BY (rpm)	WEIGHT (kg)	OVERHANG TORQUE (N.m)
AXVA (SAE) 40 (CW/CCW)	40	400	420	225	3000	3000	26	34
AXVA (SAE) 60 (CW/CCW)	60	400	420	335	2600	3000	26	34
AXVA (SAE) 75 (CW/CCW)	75	400	420	420	2000	3000	26	34
AXVA (SAE) 92 (CW/CCW)	92	400	420	515	1900	3000	26	34
AXVA (SAE) 120 (CW/CCW)	120	380	400	675	2100	3000	26	34

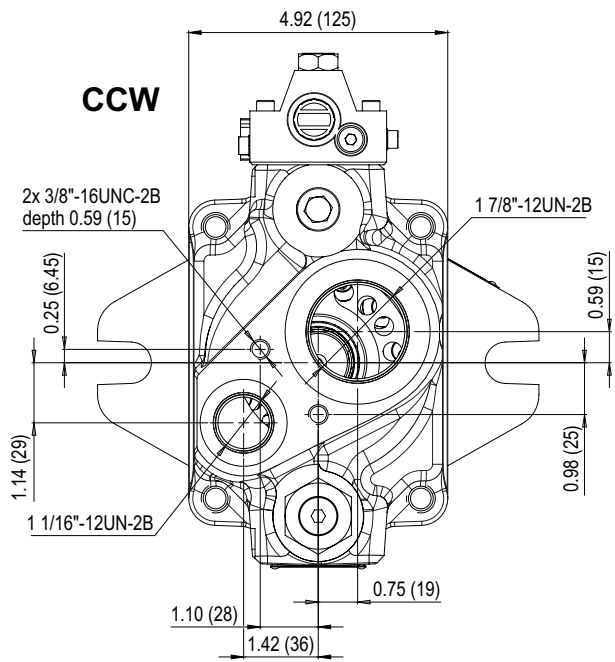
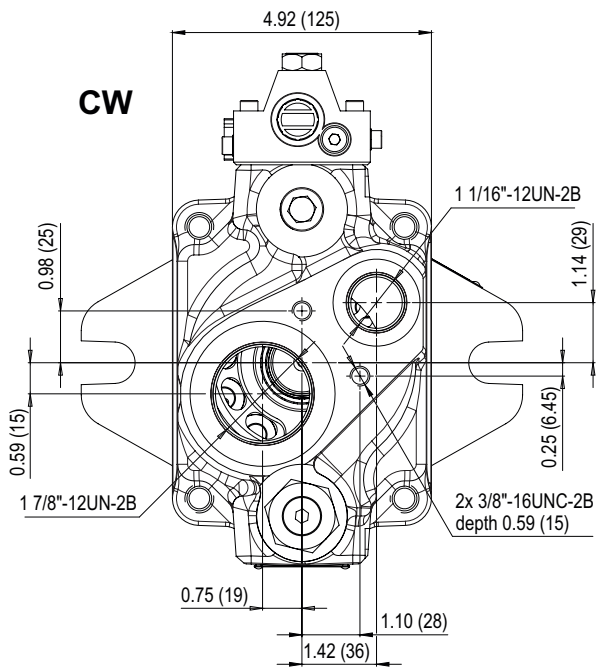
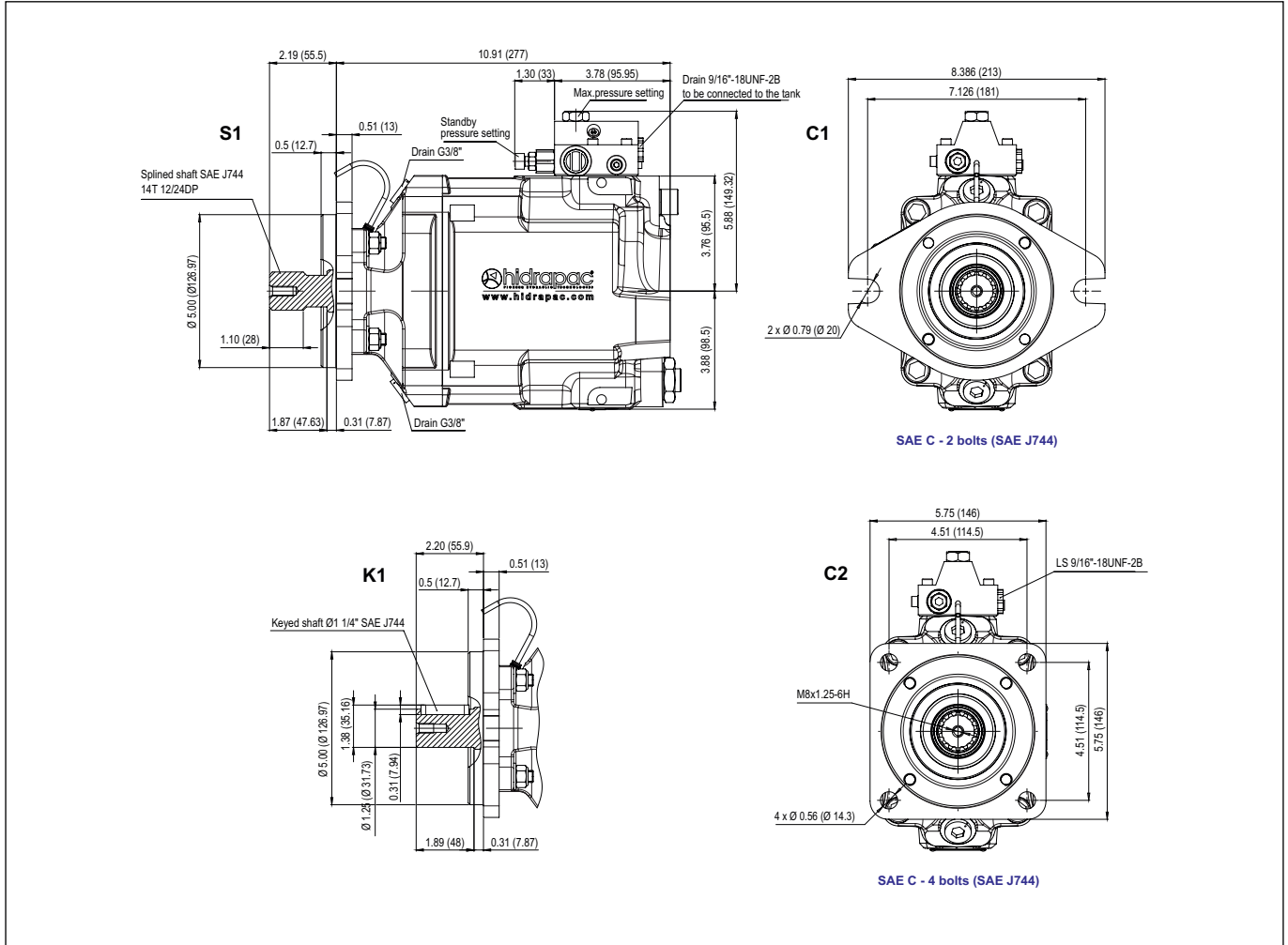


Ordering Code; AXVA (SAE) Variable Dsplcmnt Piston Pumps

Model Code	Displacement	Shaft Type	Flange Type	Rotation	Sealing
AXVA (SAE)	92	S	H4	CW	V
AXVA (SAE) Variable Displcmnt Hydraulic Piston Pump SAE Flge	40	S Splined Shaft (default) 8x32x36 DIN ISO 14NF	H4 ISO 7653 Ø80 4 Bolt Flange	CW RIGHT Direction of Rotation	V Viton High Pressure Seal
	60				
	75				
	92				
	120	K Parallel Keyed Shaft (special) DIN 6885		CCW LEFT Direction of Rotation	N Nitrile Seal 5/10 Bar



AXVA (SAE) - 60 cc Variable Pump



Complete Product Range

Bent Axis Piston Motors

K2FM (DIN) Bent Axis Motor
K3FH (HYBRID) Bent Axis Motor
A2MS (SAE) Bent Axis Motor
A3MS (SAE2) Bent Axis Motor
A2FM (ISO) Bent Axis Motor
A2FE (Fixed Plugin) Bent Axis Motor
A2FE (Two Speed) Bent Axis Motor
A2FT 45 (Inline) Bent Axis Motor

Bent Axis Piston Pumps

K2FA (DIN) Bent Axis Pump
K2FH (HYBRID) Bent Axis Pump
K2FL (Aluminum) Bent Axis Pump
A2FS (SAE) Bent Axis Pump
A3FS (SAE2) Bent Axis Pump
A2FO (ISO) Bent Axis Pump
A3FO (ISO2) Bent Axis Pump
A2FP (Fixed Plugin) Bent Axis Pump

Variable Displacement Motors

AXMV Variable Piston Motor
AXMA Variable Piston Motor
AXMI Variable Piston Motor

Variable Displacement Pumps

AXVP Variable Piston Motor
AXVA Variable Piston Motor
AXVI Variable Piston Motor

Dual Flow Piston Pumps

A2FD (DIN) Dual Flow Pumps
A2FD (SAE) Dual Flow Pumps
A2PD Axial Dual Output Pumps

Axial Piston & Gear Pumps

A3PP Axial Piston Pumps
A3PH High Pressure Pumps
A2GP Gear Pumps
A2GPT Tandem Gear Pumps
A2GM Gear Motors
A2GMT Tandem Gear Motors

Valve (ByPass) (Flushing) (Cavitation)

Circulation Valve
ByPass Valve
Anti-Cavitation Valve
Flushing Valve
LS Valve
AntiShock Valve
Speed Sensor

Hydraulic Spare Parts

Suction Fittings
Couplars
Adapters
Flanges
Power Take Off
Monoblock Valve
Section Valve

Hydraulic Pumps, Pumps

Bent Axis Hydraulic Piston Pumps, Bent Axis Hydraulic Piston Pumps, Hydraulic Piston Pumps, Variable Displacement Piston Pumps, Variable Displacement Piston Pumps, Axial Piston Pumps, High Pressure Piston Pumps, Gear Pumps, Gear Pumps, Hydraulic Valve.

www.HIDRAPAC.com

Address;

HIDRAPAC HİDROLİK İÇ VE DIŞ TİC LTD ŞTİ

Address; Fevzicakmak Mah. Sıla Cad. Kobisan 3 San. Sit.
No:73 / C Karatay – Konya, PO Code; 42050, Türkiye

Phone; +90 551 111 77 44

VAT Number; 462 077 9143

www.HIDRAPAC.com

MAIL@HIDRAPAC.com

INFO@HIDRAPAC.com

Hidrapac **Store**

www.HIDRAPAC.com.tr

Hidrapac **Premium**

www.HIDRAPACHYDRAULIC.com