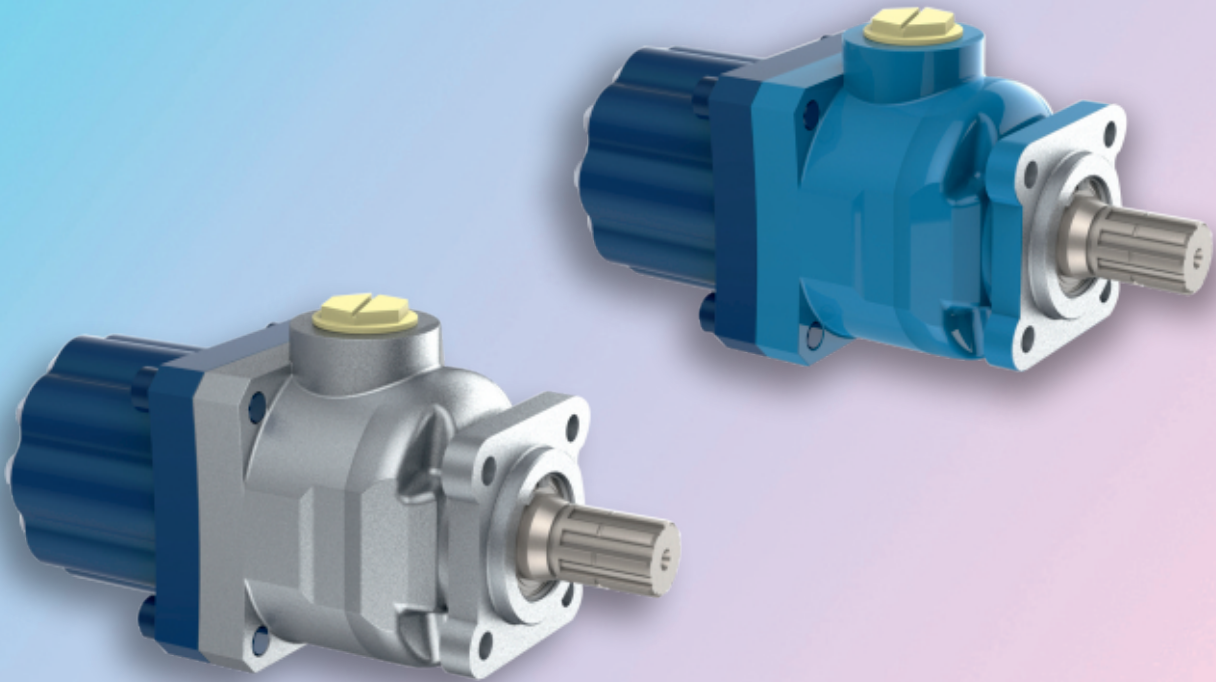


## A3PP Axial Piston Pumps -2022-

Axial Hydraulic Piston Pumps, Single Flow, Single Output.  
High Pressure, High Rotational Speed, High Efficiency, Slim Design.  
Cast Iron Pump Body, Re-Designed in 2022.

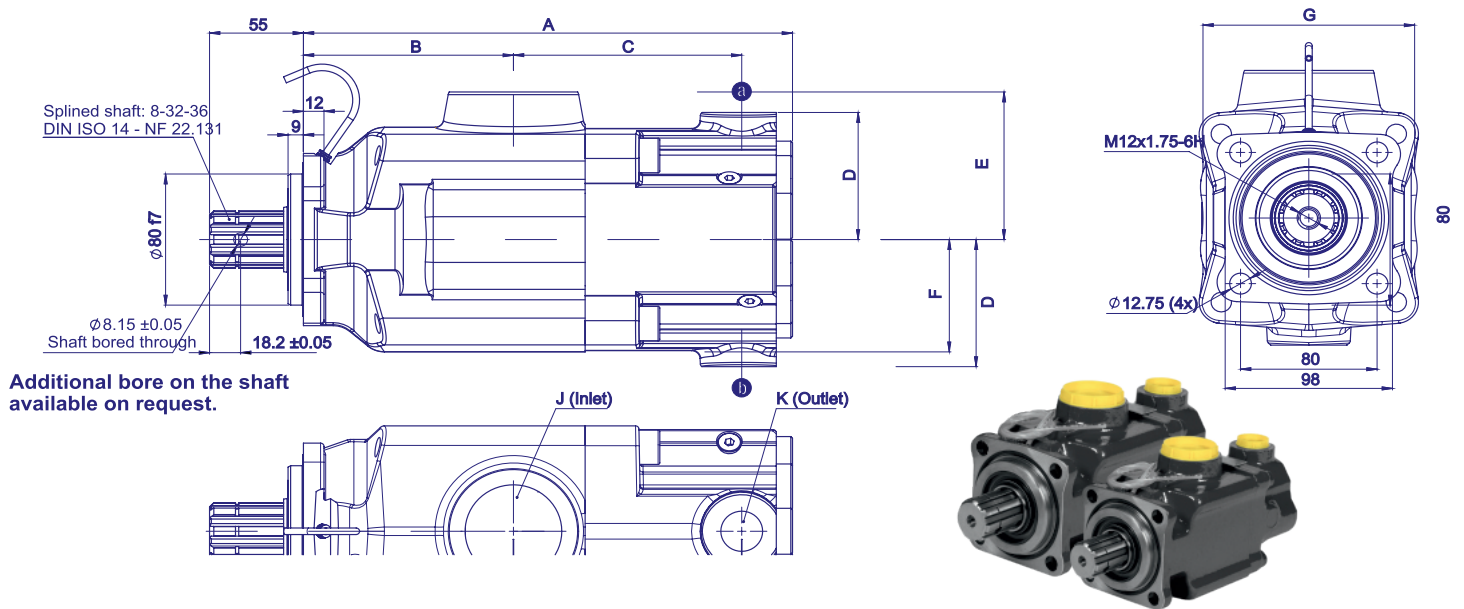
### Designation;

25cc, 32cc, 40cc, 50cc,  
63cc, 80cc, 100cc, 114cc



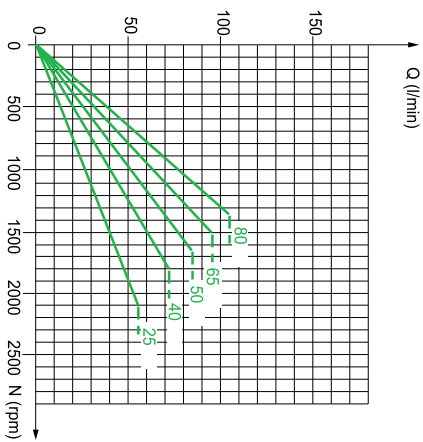
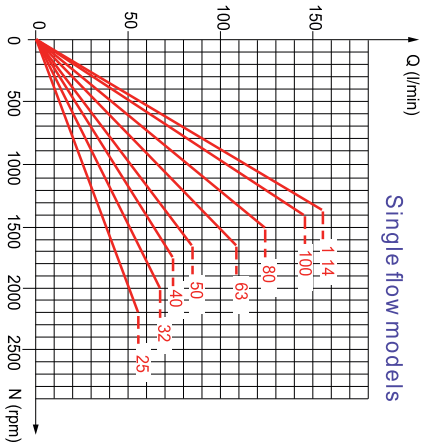
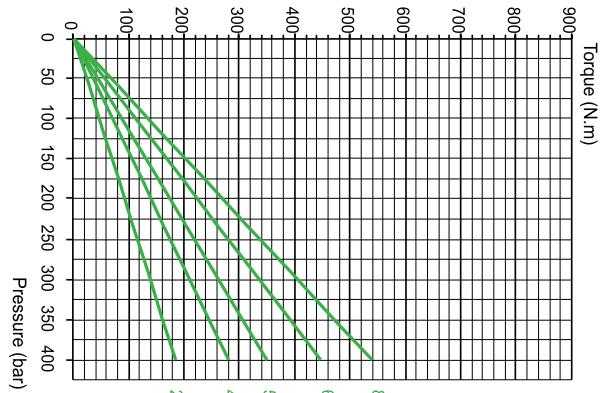
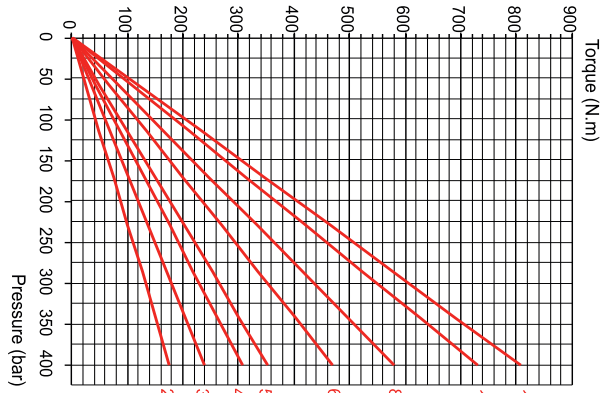
Hidrapac **Store**

[www.HIDRAPAC.com.tr](http://www.HIDRAPAC.com.tr)

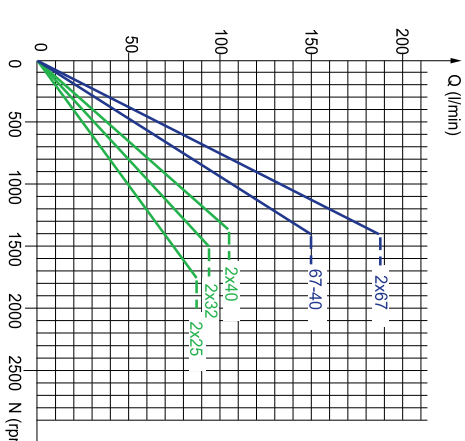
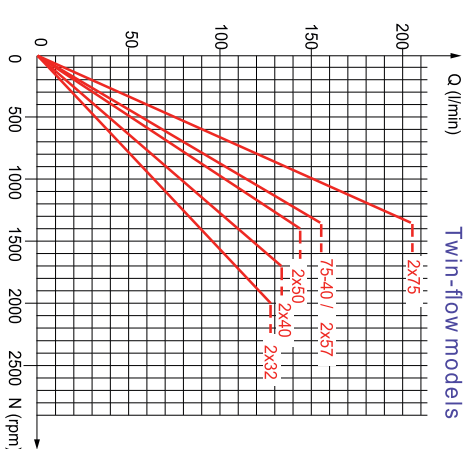
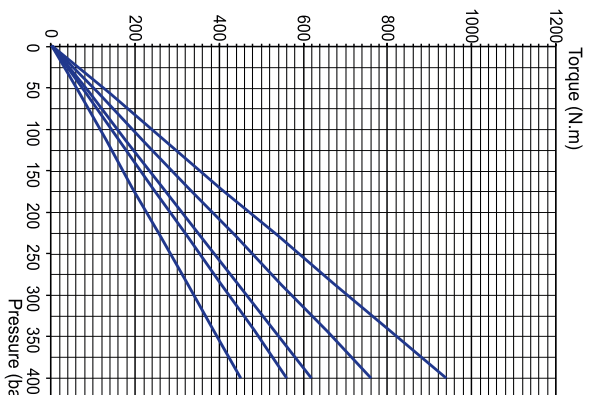
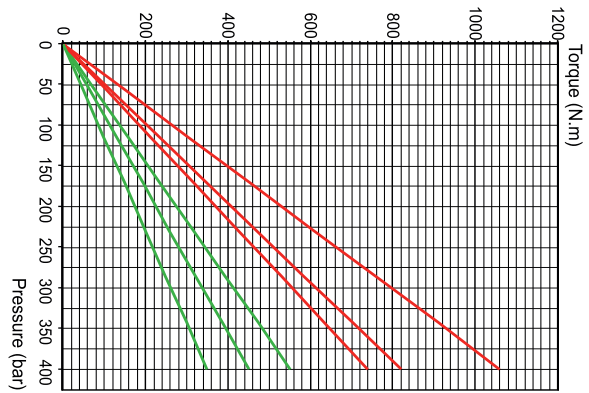


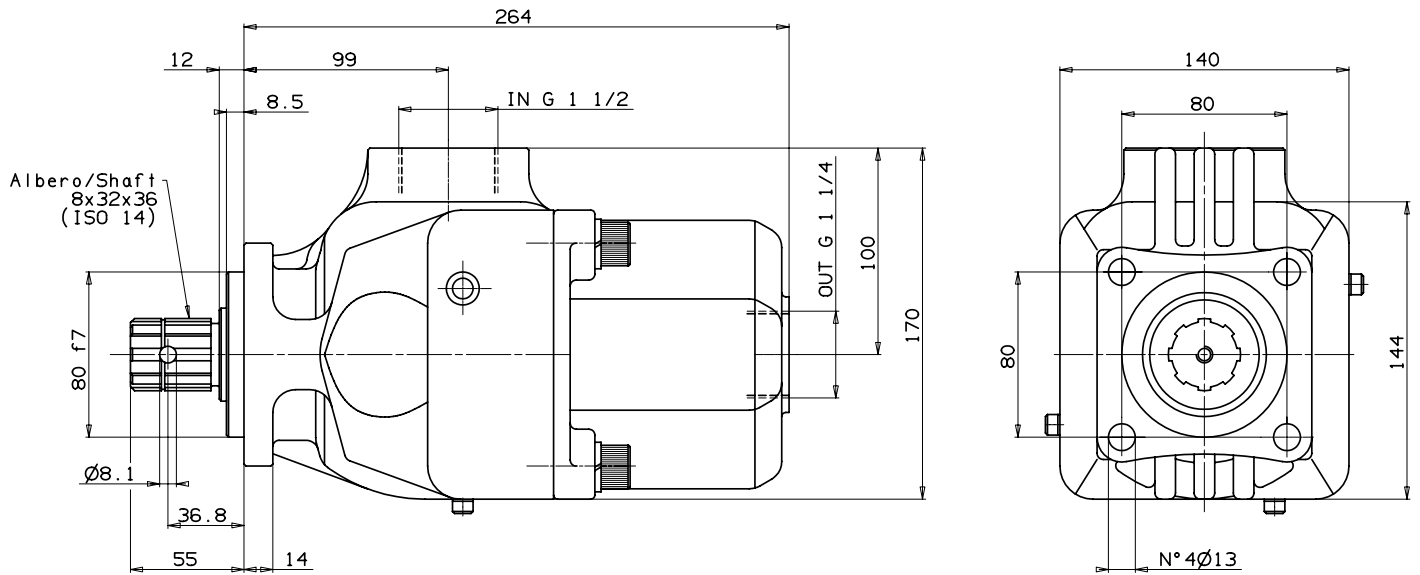
Pump reference	Displac. (cc/rev)		A	B	C	D	E	F	G	J	K	Weight (kg)	Overhang torque (N.m)
	a	b											
<b>25cc</b>	25	-	261	102	126	47	78	64	107	G 1 1/2"	G 3/4"	15	17
<b>32cc</b>	34	-	261	102	126	47	78	64	107	G 1 1/2"	G 3/4"	15	17
<b>40cc</b>	43	-	261	102	126	47	78	64	107	G 1 1/2"	G 3/4"	15	17
<b>50cc</b>	50	-	261	102	126	47	78	64	107	G 1 1/2"	G 3/4"	15	17
<b>63cc</b>	66	-	290	123	138.8	69	90	69	124	G 2"	G 3/4"	23.5	17
<b>80cc</b>	82	-	290	123	138.8	69	90	69	124	G 2"	G 3/4"	23.5	31.5
<b>100cc</b>	104	-	290	123	138.8	69	90	69	124	G 2"	G 3/4"	23.5	31.5
<b>114cc</b>	114	-	290	123	138.8	69	90	69	124	G 2"	G 3/4"	23.5	31.5
<b>25cc</b>	26	-	226	94.9	103.3	62	73.2	54	98	G 1 1/2"	G 3/4"	12.5	12.6
<b>40cc</b>	40	-	226	94.9	103.3	62	73.2	54	98	G 1 1/2"	G 3/4"	12.5	12.6
<b>50cc</b>	50	-	226	94.9	103.3	62	73.2	54	98	G 1 1/2"	G 3/4"	12.5	12.6
<b>63cc</b>	65	-	243	102.5	112.8	63	78	65	107	G 1 1/2"	G 3/4"	16	17.6
<b>80cc</b>	78	-	247	102.5	116.3	63	78	65	107	G 1 1/2"	G 3/4"	17	21.3

Single flow models

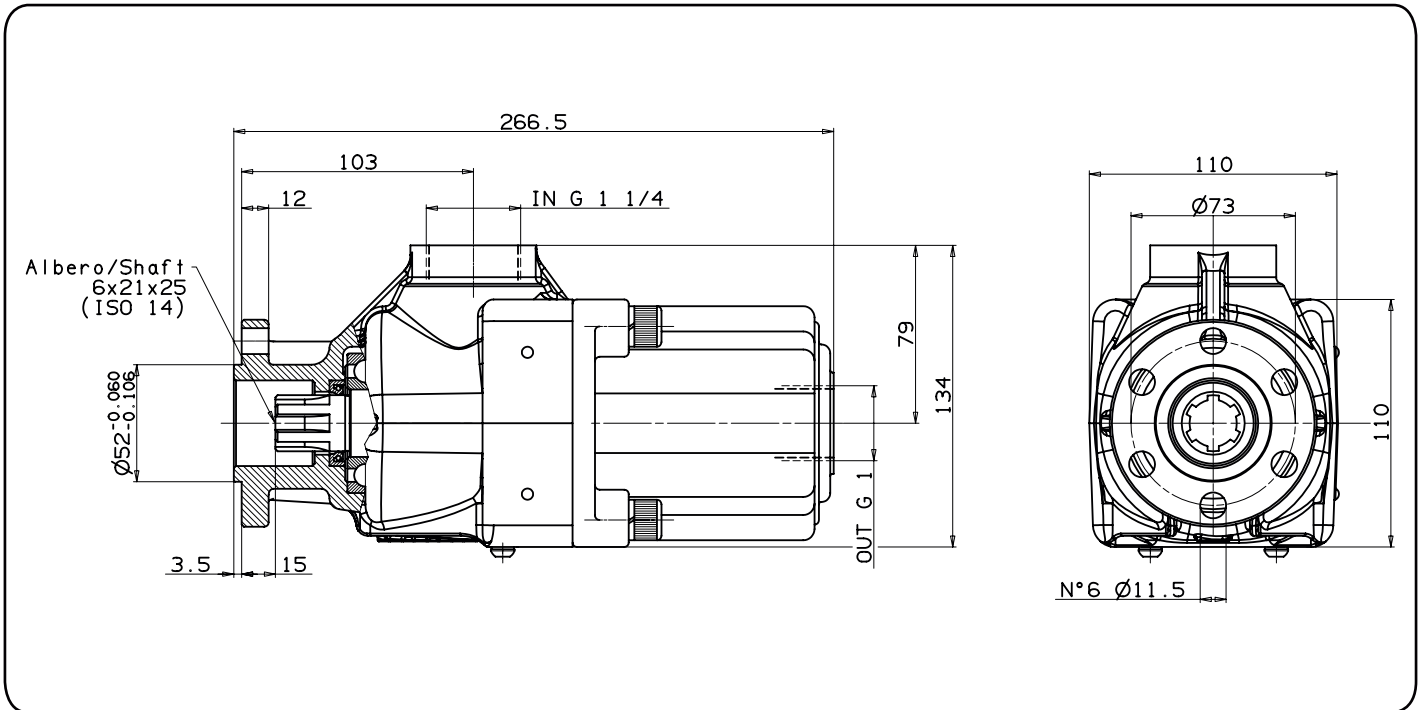


Twin-flow models

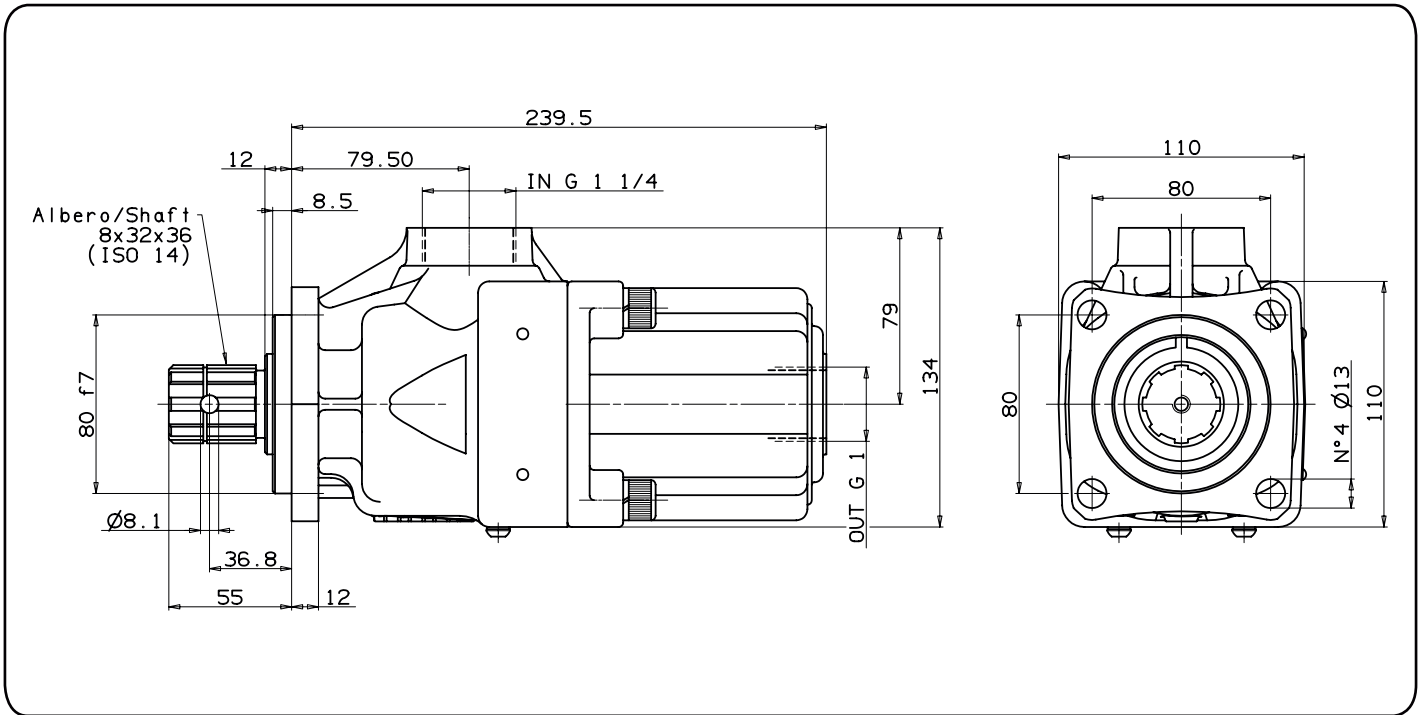




Pump type	Rotation	Displacement cm <sup>3</sup> /rev	Pressure		Max speed rpm	Weight kg
			Max bar	Peak bar		
<b>70 cc</b>	<b>Bi-Directional</b>	73	300	350	1500	20,9
<b>80 cc</b>	<b>Bi-Directional</b>	82,2				20,3
<b>90 cc</b>	<b>Bi-Directional</b>	91,4				20,3
<b>100 cc</b>	<b>Bi-Directional</b>	100,4				20

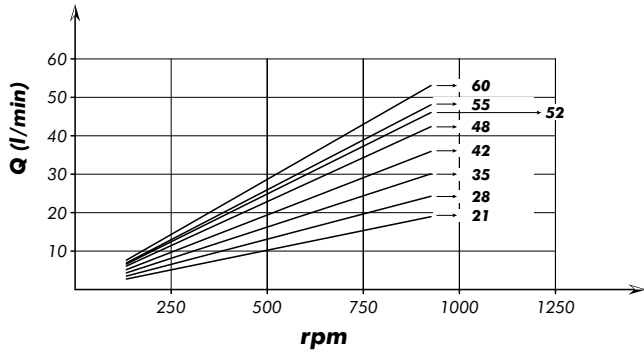


Pump type	Code	Displacement cm <sup>3</sup> /rev	Pressure		Max speed rpm	Weight kg
			Massima Max bar	Picco Peak bar		
<b>21 cc</b>	Bi - Directional	20,25	350	350	1800	13,5
<b>28 cc</b>	Bi - Directional	27				
<b>35 cc</b>	Bi - Directional	33,75				
<b>42 cc</b>	Bi - Directional	40,5				
<b>48 cc</b>	Bi - Directional	47,25				
<b>52 cc</b>	Bi - Directional	51,97	300	350	1500	13,3
<b>55 cc</b>	Bi - Directional	54				
<b>60 cc</b>	Bi - Directional	59,3				

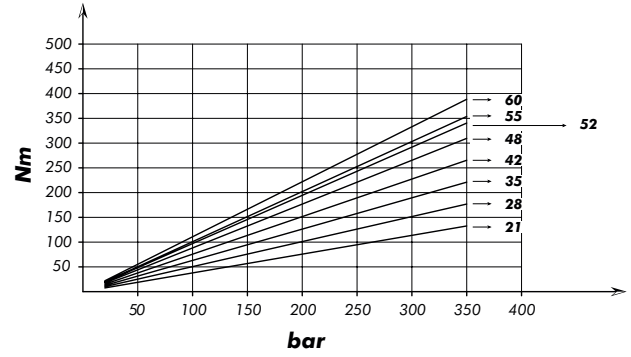


Pump type	Code	Displacement cm <sup>3</sup> /rev	Pressure		Max speed rpm	Weight kg
			Max bar	Peak bar		
<b>21 cc</b>	Bi - Directional	20,25	350	350	1800	14,1
<b>28 cc</b>	Bi - Directional	27				
<b>35 cc</b>	Bi - Directional	33,75				
<b>42 cc</b>	Bi - Directional	40,5				
<b>48 cc</b>	Bi - Directional	47,25				
<b>52 cc</b>	Bi - Directional	51,97	300	350	1500	13,9
<b>55 cc</b>	Bi - Directional	54				
<b>60 cc</b>	Bi - Directional	59,3				

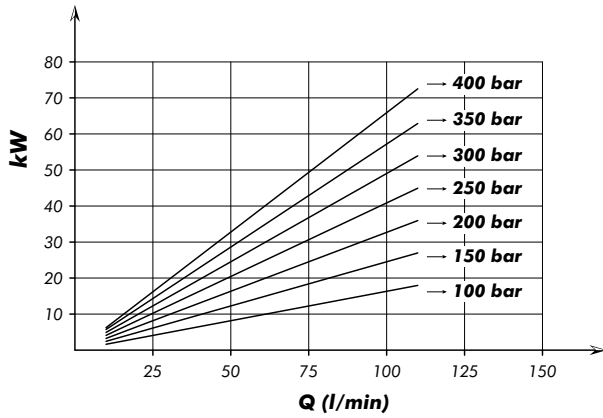
**FLOW**



**DRIVE TORQUE**



**POWER INPUT**



## Complete Product Range

### Bent Axis Piston Motors

K2FM (DIN) Bent Axis Motor  
K3FH (HYBRID) Bent Axis Motor  
A2MS (SAE) Bent Axis Motor  
A3MS (SAE2) Bent Axis Motor  
A2FM (ISO) Bent Axis Motor  
A2FE (Fixed Plugin) Bent Axis Motor  
A2FE (Two Speed) Bent Axis Motor  
A2FT 45 (Inline) Bent Axis Motor

### Bent Axis Piston Pumps

K2FA (DIN) Bent Axis Pump  
K2FH (HYBRID) Bent Axis Pump  
K2FL (Aluminum) Bent Axis Pump  
A2FS (SAE) Bent Axis Pump  
A3FS (SAE2) Bent Axis Pump  
A2FO (ISO) Bent Axis Pump  
A3FO (ISO2) Bent Axis Pump  
A2FP (Fixed Plugin) Bent Axis Pump

### Variable Displacement Motors

AXMV Variable Piston Motor  
AXMA Variable Piston Motor  
AXMI Variable Piston Motor

### Variable Displacement Pumps

AXVP Variable Piston Motor  
AXVA Variable Piston Motor  
AXVI Variable Piston Motor

### Dual Flow Piston Pumps

A2FD (DIN) Dual Flow Pumps  
A2FD (SAE) Dual Flow Pumps  
A2PD Axial Dual Output Pumps

### Axial Piston & Gear Pumps

A3PP Axial Piston Pumps  
A3PH High Pressure Pumps  
A2GP Gear Pumps  
A2GPT Tandem Gear Pumps  
A2GM Gear Motors  
A2GMT Tandem Gear Motors

### Valve (ByPass) (Flushing) (Cavitation)

Circulation Valve  
ByPass Valve  
Anti-Cavitation Valve  
Flushing Valve  
LS Valve  
AntiShock Valve  
Speed Sensor

### Hydraulic Spare Parts

Suction Fittings  
Couplars  
Adapters  
Flanges  
Power Take Off  
Monoblock Valve  
Section Valve



# Hydraulic Pumps, Motors

Bent Axis Hydraulic Piston Motors, Bent Axis Hydraulic Piston Pumps, Piston Pumps, Variable Displacement Piston Pumps, Variable Displacement Piston Motors, Axial Piston Pumps, High Pressure Piston Pumps, Gear Pumps, Gear Motors, Hydraulic Valve.

[www.HIDRAPAC.com](http://www.HIDRAPAC.com)

## Address;

### HİDRAPAC HİDROLİK İÇ VE DIŞ TİC LTD ŞTİ

Address; Fevzicakmak Mah. Sıla Cad. Kobisan 3 San. Sit.  
No:73 / C Karatay – Konya, PO Code; 42050, Türkiye

Phone; +90 551 111 77 44

VAT Number; 462 077 9143

[www.HIDRAPAC.com](http://www.HIDRAPAC.com)

[MAIL@HIDRAPAC.com](mailto:MAIL@HIDRAPAC.com)

[INFO@HIDRAPAC.com](mailto:INFO@HIDRAPAC.com)

Hidrapac **Store**

[www.HIDRAPAC.com.tr](http://www.HIDRAPAC.com.tr)

Hidrapac **Premium**

[www.HIDRAPACHYDRAULIC.com](http://www.HIDRAPACHYDRAULIC.com)