

## A2GPT Tandem Hydr. Gear Pumps -2022-

Tandem Hydraulic Gear Pumps, Single Flow, High Pressure.  
High Rotational Speed, High Efficiency, Slim Design.  
Cast Iron Pump Body, Re-Designed in 2022.

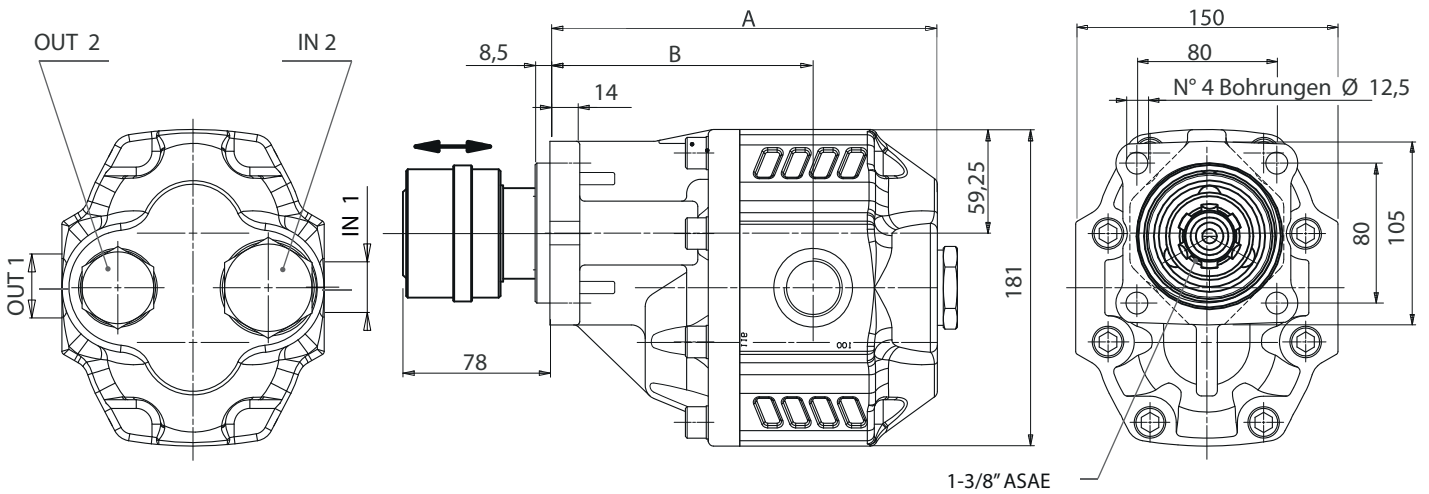
### Designation;

17cc, 22cc, 25cc, 40cc, 45cc, 50cc,  
63cc, 75cc, 80cc, 100cc, 110cc, 120cc, 130cc



Hidrapac **Store**

[www.HIDRAPAC.com.tr](http://www.HIDRAPAC.com.tr)

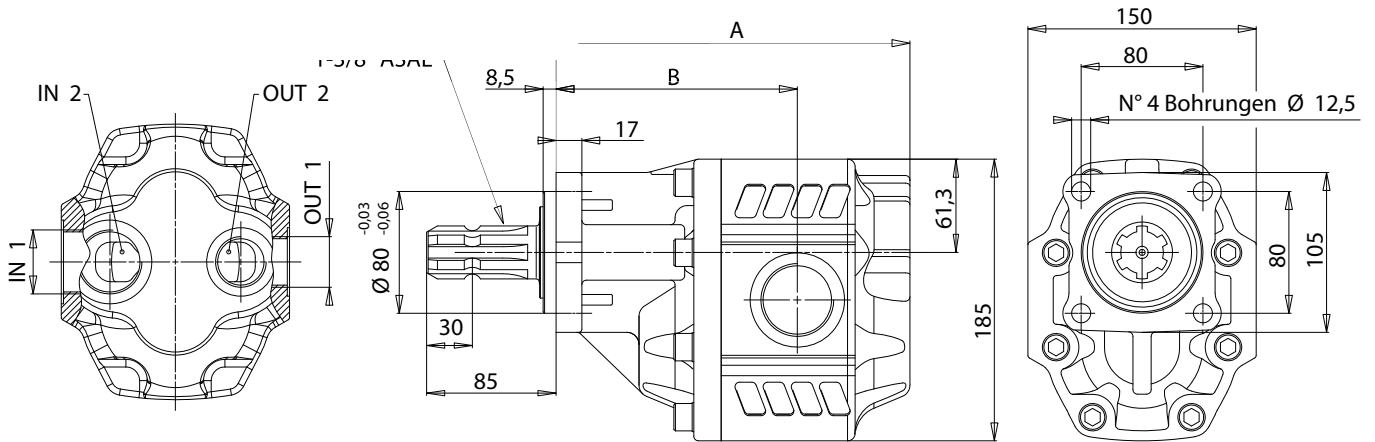


Displacement	Ordering Code		Technical Information							Dimensions					
	Bi-Directional Pump Version	Bi-Directional Motor Version	P1 in bar	P2 in bar	P3 in bar	Maximum Speed	Maximum Intermitt. Peak Speed	min. Pressure	Suction Outlet 1	Suction Outlet 2	Pressure Conn. 1	Pressure Conn. 2	A in mm	B in mm	Weight in KG
63.70	A2GPT	035-900-01050	290	315	325	1800	2700	300	1"	1"	3/4"	3/4"	201.5	136.5	20
74.87	A2GPT	035-900-01150	280	300	315	1800	2700	300	1"	1"	3/4"	3/4"	205.5	140.5	22
85.96	A2GPT	035-900-01250	260	280	290	1800	2700	300	1-1/4"	1-1/4"	1"	1"	209.5	141	22.5
102.60	A2GPT	035-900-01350	250	270	280	1800	2700	300	1-1/4"	1-1/4"	1"	1"	215.5	144.5	23
119.24	A2GPT	035-900-01450	240	260	270	1500	2700	300	1-1/4"	1-1/4"	1"	1"	221.5	150.5	23.5
135.88	A2GPT	035-900-01550	220	250	260	1500	2500	300	1-1/2"	1-1/2"	1"	1"	231.5	152.5	24.5
149.75	A2GPT	035-900-01650	180	210	220	1500	2500	300	1-1/2"	1-1/2"	1"	1"	236.5	157.5	25

P1 = max. Pressure (100%)

P2 = max. Intermittent pressure (max. 20 Sec.)

P3 = Peak Pressure (max. 6 Sec.)

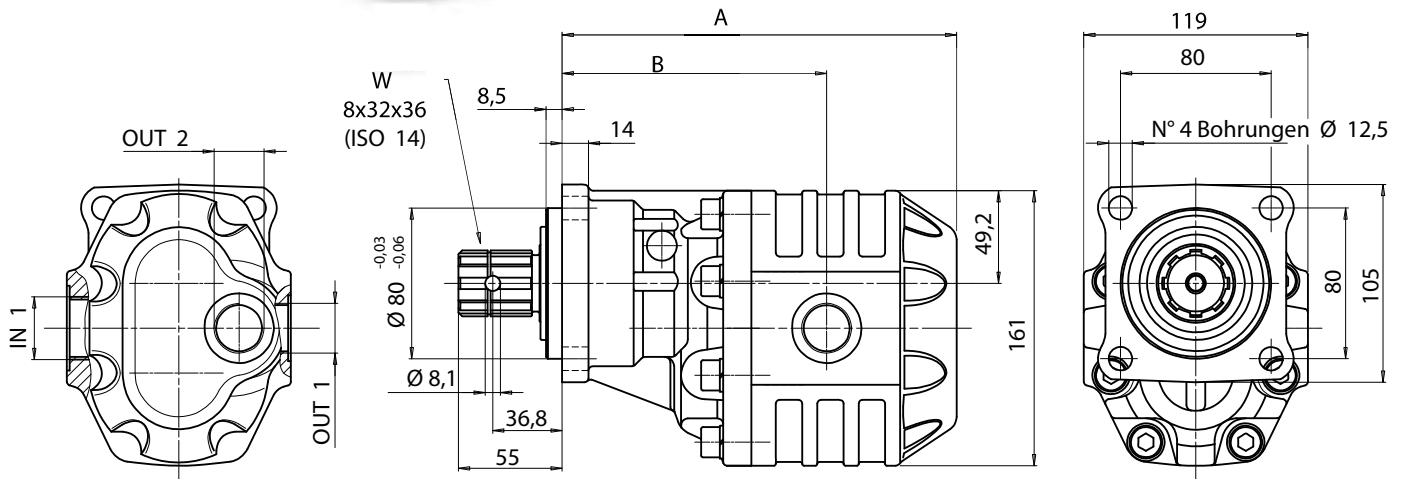


Displacement	Ordering Code		Technical Information										Dimensions		
	Bi-Directional Pump Version	Bi-Directional Motor Version	P1 in bar	P2 in bar	P3 in bar	Maximum Speed	Maximum Intermitt. Peak Speed	min. Pressure	Suction Outlet 1	Suction Outlet 2	Pressure Conn. 1	Pressure Conn. 2	A in mm	B in mm	Weight in KG
63,7	A2GPT	035-909-01050	290	315	325	1800	2700	300	1"	1"	3/4"	3/4"	201,5	136,5	19
74,87	A2GPT	035-909-01150	280	300	315	1800	2700	300	1"	1"	3/4"	3/4"	205,5	140,5	21
85,96	A2GPT	035-909-01250	260	280	290	1800	2700	300	1-1/4"	1-1/4"	1"	1"	209,5	141	21,5
102,6	A2GPT	035-909-01350	250	270	280	1800	2700	300	1-1/4"	1-1/4"	1"	1"	215,5	144,5	22
119,24	A2GPT	035-909-01450	240	260	270	1500	2700	300	1-1/4"	1-1/4"	1"	1"	221,5	150,5	22,5
135,88	A2GPT	035-909-01550	220	250	260	1500	2500	300	1-1/2"	1-1/2"	1"	1"	227,5	153,5	23,5
149,75	A2GPT	035-909-01650	180	210	220	1500	2500	300	1-1/2"	1-1/2"	1"	1"	232,5	158,5	24

P1 = max. Pressure (100%)

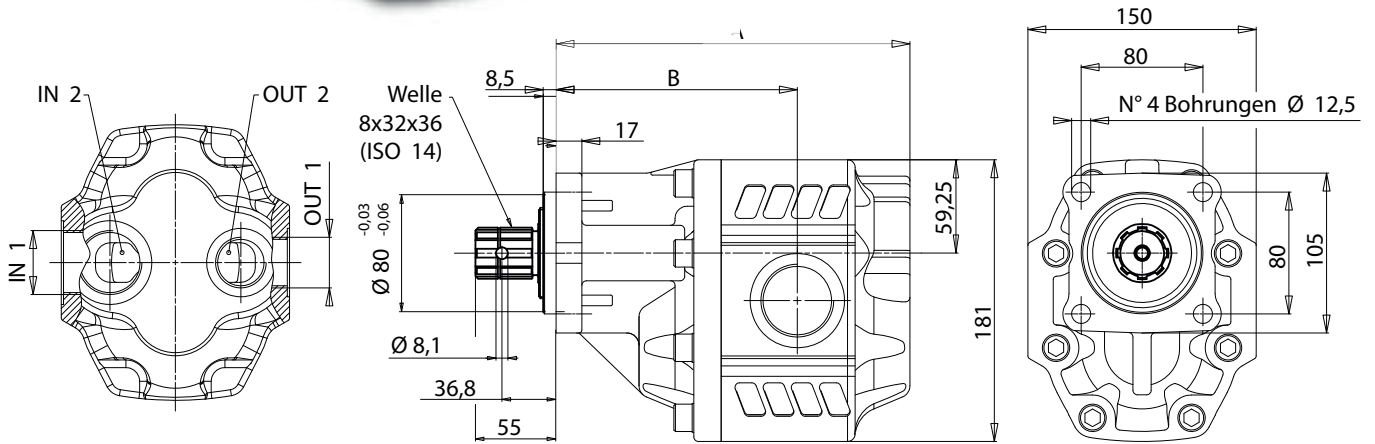
P2 = max. Intermittent pressure (max. 20 Sec.)

P3 = Peak Pressure (max. 6 Sec.)



Displacement	Ordering Code		Technical Information						Dimensions					
	Bi-Directional Pump Version	Bi-Directional Motor Version	P1 in bar	P2 in bar	P3 in bar	Maximum Speed	Maximum Intermitt. Peak Speed	min. Pressure	Suction Outlet 1	Suction Outlet 2	Pressure Conn. 1	Pressure Conn. 2	A in mm	B in mm
17,04	A2GPT	035-919-01050	290	315	325	2500	3000	300	1/2"	1/2"	1/2"	168,5	119,5	11
22,15	A2GPT	035-919-01150	290	315	325	2500	3000	300	1/2"	1/2"	1/2"	172	121,5	11,5
26,18	A2GPT	035-919-01250	290	315	325	2500	3000	300	3/4"	1/2"	1/2"	174,5	124	12
38,88	A2GPT	035-919-01350	280	300	310	2200	2800	300	3/4"	3/4"	3/4"	179,5	125	13
43,12	A2GPT	035-919-01450	270	290	300	2000	2500	300	3/4"	3/4"	3/4"	185,5	130	13,5
50,82	A2GPT	035-919-01550	240	260	280	2000	2500	300	1"	3/4"	3/4"	190,5	130,5	14
60,06	A2GPT	035-919-01650	220	240	250	1800	2000	300	1"	3/4"	3/4"	196,5	136,5	14,5
72,88	A2GPT	035-919-01750	200	220	230	1600	1800	300	1"	3/4"	3/4"	204,5	135,5	15
81,08	A2GPT	035-919-01850	190	210	220	1500	1800	300	1-1/4"	3/4"	3/4"	209,5	140,5	15,5
98,18	A2GPT	035-919-02050	180	200	220	1500	1800	300	1-1/4"	1"	3/4"	226,5	154,5	15
122,72	A2GPT	035-919-02150	160	180	200	1500	1800	300	1-1/4"	1"	3/4"	242,5	158,5	17

P1 = max. Pressure (100%)  
P2 = max. Intermittent pressure (max. 20 Sec.)  
P3 = Peak Pressure (max. 6 Sec.)

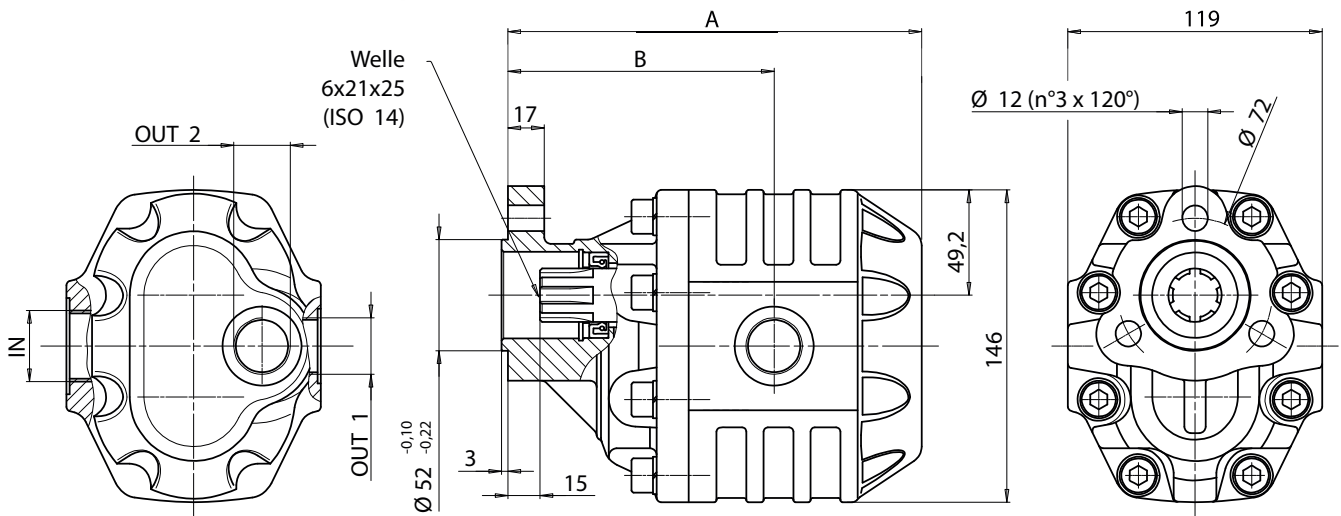


Displacement	Ordering Code		Technical Information						Dimensions						
	Bi-Directional Pump Version	Bi-Directional Motor Version	P1 in bar	P2 in bar	P3 in bar	Maximum Speed	Maximum Intermitt. Peak Speed	min. Pressure	Suction Outlet 1	Suction Outlet 2	Pressure Conn. 1	Pressure Conn. 2	A in mm	B in mm	Weight in KG
63,7	A2GPT	030-929-01050	290	315	325	1800	2700	300	1"	1"	3/4"	3/4"	201,5	136,5	19
74,87	A2GPT	030-929-01150	280	300	315	1800	2700	300	1"	1"	3/4"	3/4"	205,5	140,5	21
85,96	A2GPT	030-929-01250	260	280	290	1800	2700	300	1-1/4"	1-1/4"	1"	1"	209,5	141	21,5
102,6	A2GPT	030-929-01350	250	270	280	1800	2700	300	1-1/4"	1-1/4"	1"	1"	215,5	144,5	22
119,24	A2GPT	030-929-01450	240	260	270	1500	2700	300	1-1/4"	1-1/4"	1"	1"	221,5	150,5	22,5
135,88	A2GPT	030-929-01550	220	250	260	1500	2500	300	1-1/2"	1-1/2"	1"	1"	231,5	152,5	23,5
149,75	A2GPT	030-929-01650	180	210	220	1500	2500	300	1-1/2"	1-1/2"	1"	1"	236,5	157,5	24

P1 = max. Pressure (100%)

P2 = max. Intermittent pressure (max. 20 Sec.)

P3 = Peak Pressure (max. 6 Sec.)

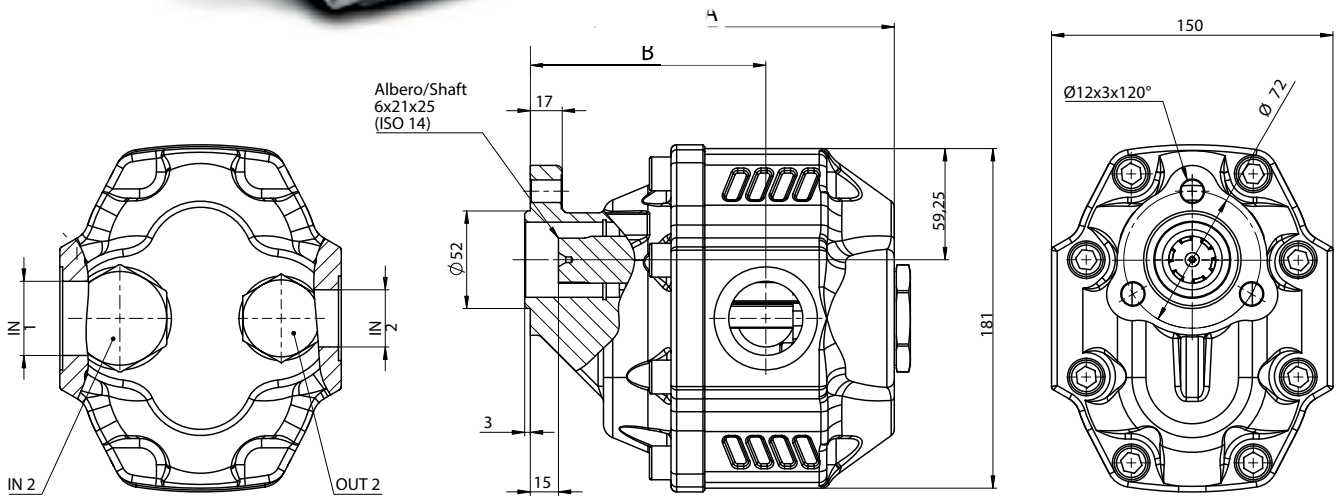


Displacement	Ordering Code		Technical Information							Dimensions					
	Bi-Directional Pump Version	Bi-Directional Motor Version	P1 in bar	P2 in bar	P3 in bar	Maximum Speed	Maximum Intermitt. Peak Speed	min. Pressure	Suction Outlet 1	Suction Outlet 2	Pressure Conn. 1	Pressure Conn. 2	A in mm	B in mm	Weight in KG
17,04	A2GPT	030-939-01050	290	315	325	2500	3000	300	1/2"	1/2"	1/2"	152,5	103,5	8,5	
22,15	A2GPT	030-939-01150	290	315	325	2500	3000	300	1/2"	1/2"	1/2"	156	105,5	9	
26,18	A2GPT	030-939-01250	290	315	325	2500	3000	300	3/4"	1/2"	1/2"	158,5	108	9,5	
38,88	A2GPT	030-939-01350	280	300	310	2200	2800	300	3/4"	3/4"	3/4"	163,5	109	10,5	
43,12	A2GPT	030-939-01450	270	290	300	2000	2500	300	3/4"	3/4"	3/4"	169,5	114	11	
50,82	A2GPT	030-939-01550	240	260	280	2000	2500	300	1"	3/4"	3/4"	174,5	114,5	11,5	
60,06	A2GPT	030-939-01650	220	240	250	1800	2000	300	1"	3/4"	3/4"	180,5	120,5	12	
72,88	A2GPT	030-939-01750	200	220	230	1600	1800	300	1"	3/4"	3/4"	188,5	119,5	12,5	
81,08	A2GPT	030-939-01850	190	210	220	1500	1800	300	1-1/4"	3/4"	3/4"	193,5	124,5	13	
90,43	A2GPT	030-939-01950	180	200	220	1500	1800	300	1-1/4"	1"	3/4"	204,5	132,5	13,5	
98,18	A2GPT	030-939-02050	180	200	220	1500	1800	300	1-1/4"	1"	3/4"	210,5	138,5	14	
122,72	A2GPT	030-939-02150	160	180	200	1500	1800	300	1-1/4"	1"	3/4"	226,5	142,5	16	

P1 = max. Pressure (100%)

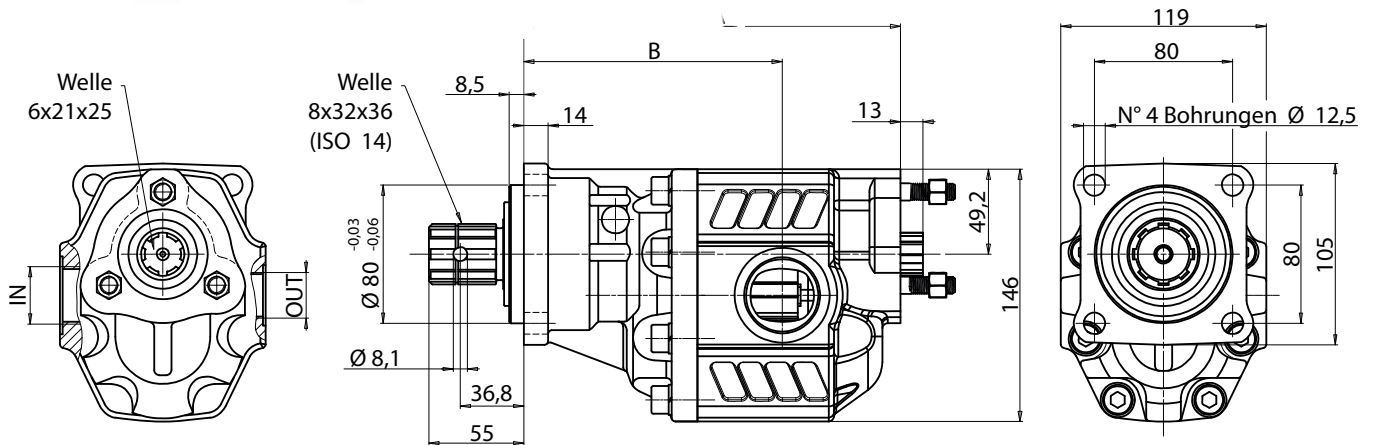
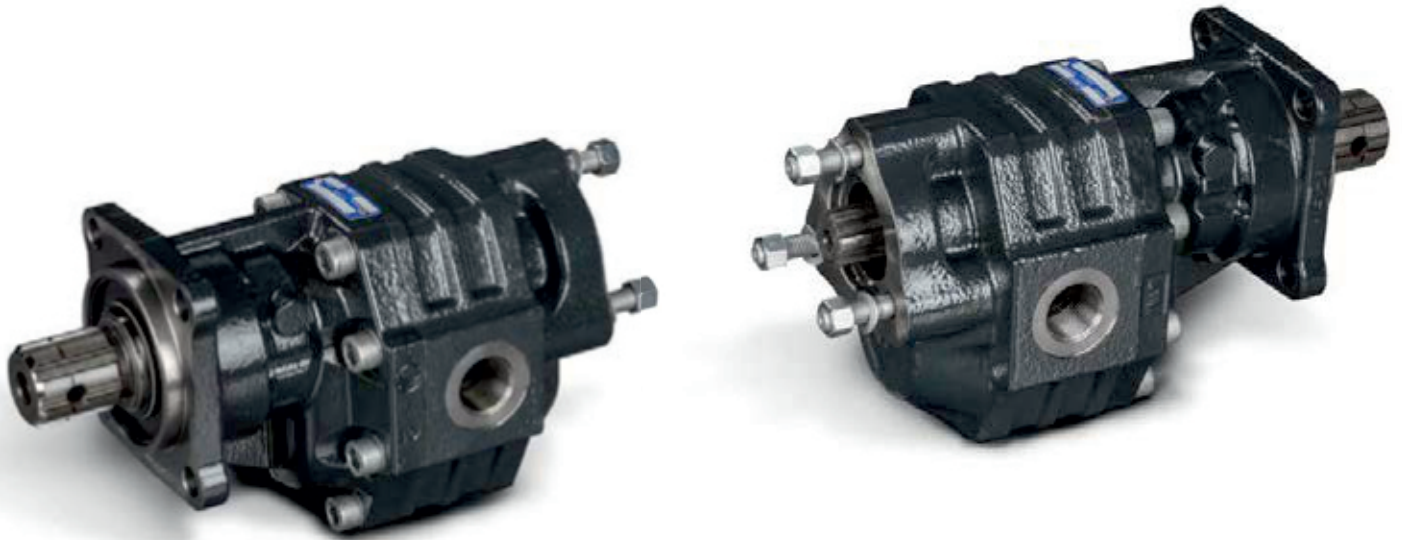
P2 = max. Intermittent pressure (max. 20 Sec.)

P3 = Peak Pressure (max. 6 Sec.)



Displacement	Ordering Code		Technical Information							Dimensions					
	Bi-Directional Pump Version	Bi-Directional Motor Version	P1 in bar	P2 in bar	P3 in bar	Maximum Speed	Maximum Intermitt. Peak Speed	min. Pressure	Suction Outlet 1	Suction Outlet 2	Pressure Conn. 1	Pressure Conn. 2	A in mm	B in mm	Weight in KG
63,7	A2GPT	030-949-01050	290	315	325	1800	2700	300	1"	1"	3/4"	3/4"	186	121	17,5
74,87	A2GPT	030-949-01150	280	300	315	1800	2700	300	1"	1"	3/4"	3/4"	190	125	18,5
85,96	A2GPT	030-949-01250	260	280	290	1800	2700	300	1-1/4"	1-1/4"	1"	1"	194	125,5	19
102,6	A2GPT	030-949-01350	250	270	280	1800	2700	300	1-1/4"	1-1/4"	1"	1"	200	129	19,5
119,24	A2GPT	030-949-01450	240	260	270	1500	2700	300	1-1/4"	1-1/4"	1"	1"	206	135	20
135,88	A2GPT	030-949-01550	220	250	260	1500	2500	300	1-1/2"	1-1/2"	1"	1"	216	137	21
149,75	A2GPT	030-949-01650	180	210	220	1500	2500	300	1-1/2"	1-1/2"	1"	1"	221	142	21,5

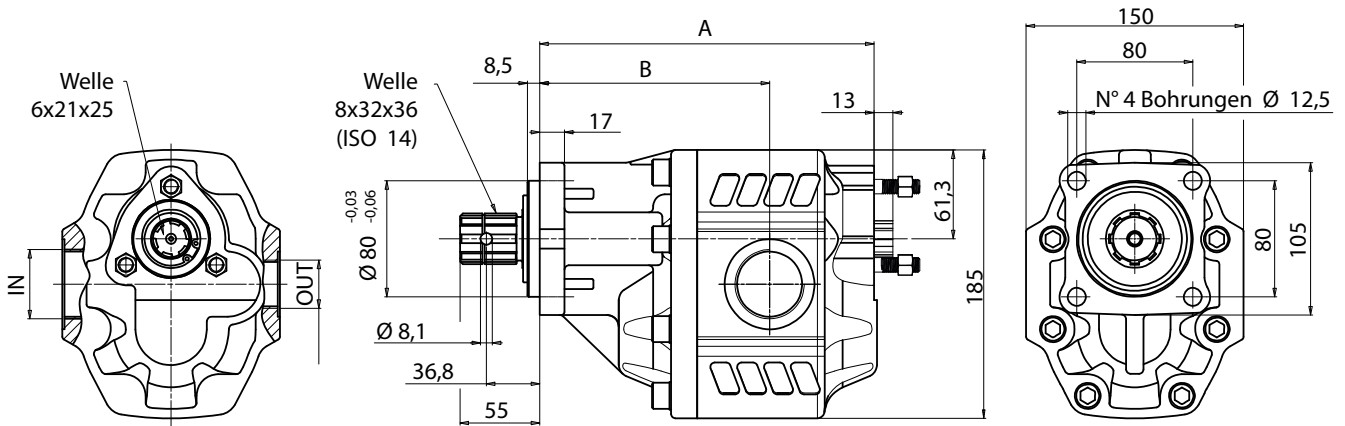
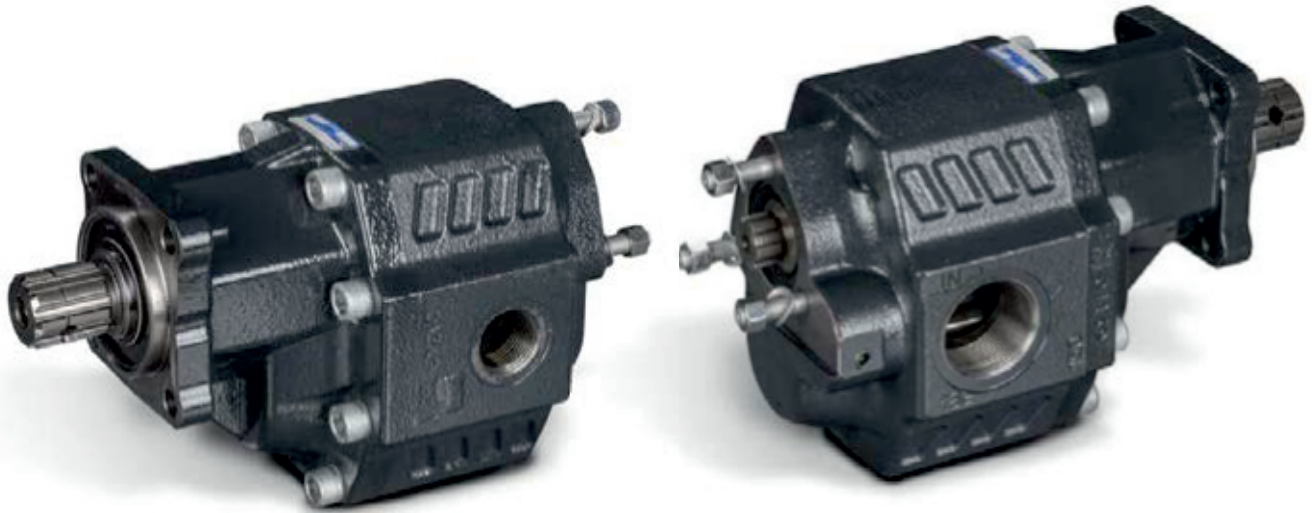
P1 = max. Pressure (100%)  
 P2 = max. Intermittent pressure (max. 20 Sec.)  
 P3 = Peak Pressure (max. 6 Sec.)



Displacement	Ordering Code		Technical Information					Dimensions					Weight in KG
	Bi-Directional Pump Version	Bi-Directional Motor Version	P1 in bar	P2 in bar	P3 in bar	Maximum Speed	Maximum Intermitt. Peak Speed	min. Pressure	Suction Outlet 1	Suction Outlet 2	Pressure Conn. 1	Pressure Conn. 2	
17,04	A2GPT	035-959-01050	290	315	325	2500	3000	300	1/2"	1/2"	180	119	10,6
22,15	A2GPT	035-959-01150	290	315	325	2500	3000	300	1/2"	1/2"	183,5	121,5	11
26,18	A2GPT	035-959-01250	290	315	325	2500	3000	300	1/2"	1/2"	186	124	11,5
33,88	A2GPT	035-959-01350	280	300	310	2200	2800	300	3/4"	3/4"	191	124	12,5
43,12	A2GPT	035-959-01450	270	290	300	2000	2500	300	3/4"	3/4"	197	130	13
50,82	A2GPT	035-959-01550	240	260	280	2000	2500	300	3/4"	3/4"	202	130,5	13,5
60,06	A2GPT	035-959-01650	220	240	250	1800	2000	300	1"	1"	208	136,5	14
72,88	A2GPT	035-959-01750	200	220	230	1600	1800	300	1"	1"	216	135,5	14,5
81,08	A2GPT	035-959-01850	190	210	220	1500	1800	300	1-1/4"	1-1/4"	221	142,5	14,9

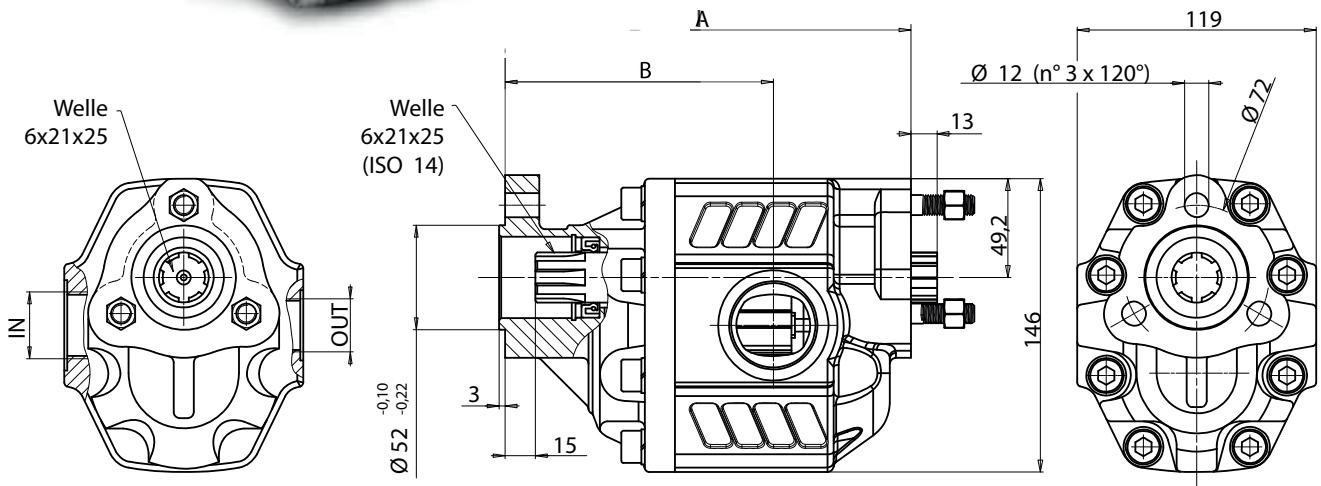
P1 = max. Pressure (100%)  
 P2 = max. Intermittent pressure (max. 20 Sec.)  
 P3 = Peak Pressure (max. 6 Sec.)





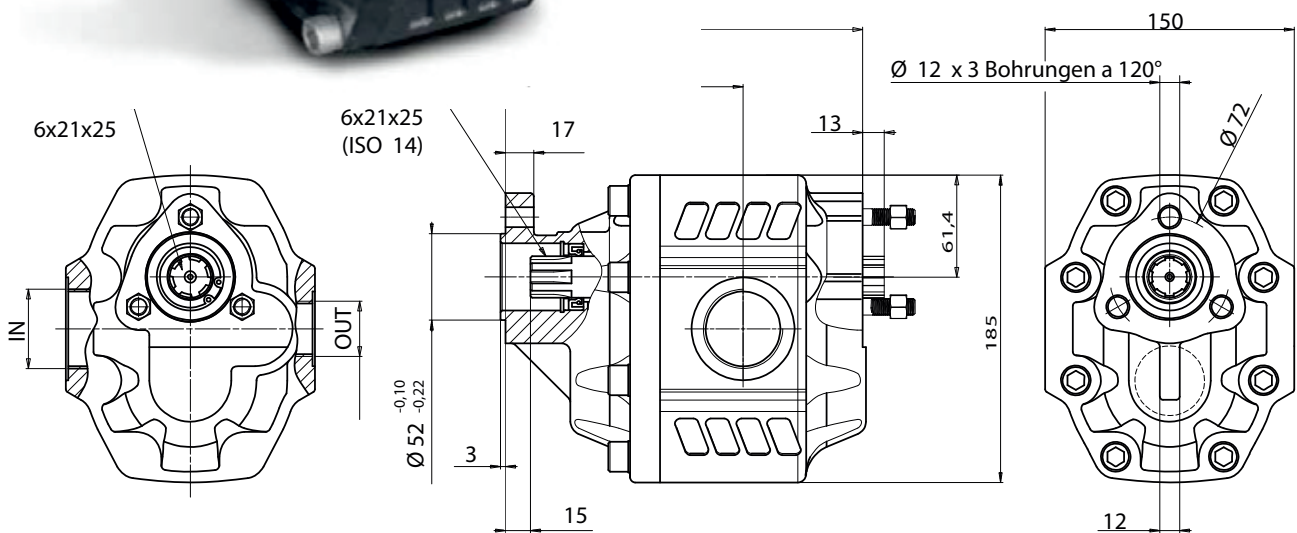
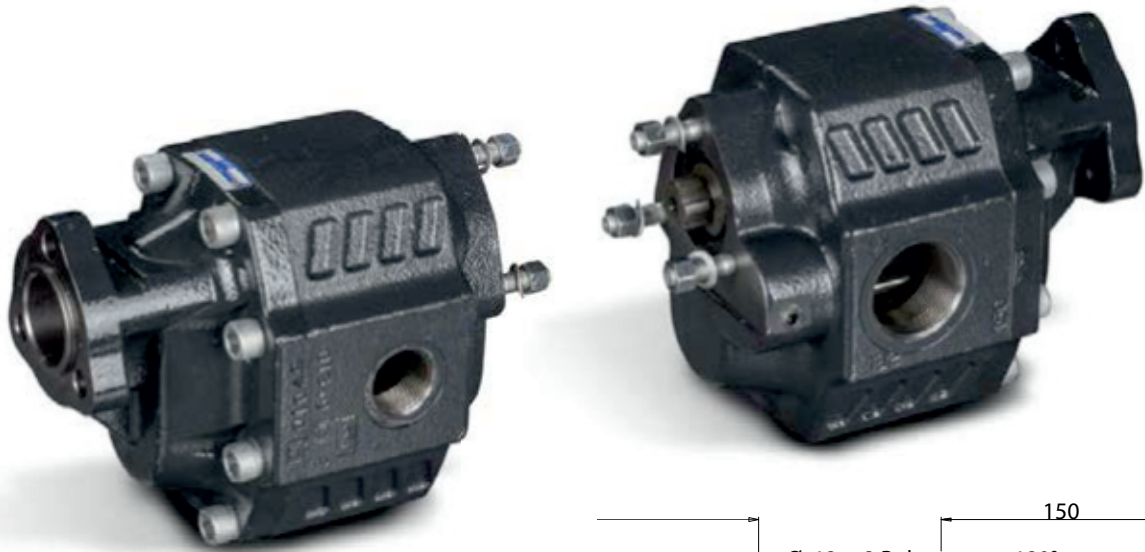
Displacement	Ordering Code		Technical Information						Dimensions					
	Bi-Directional Pump Version	Bi-Directional Motor Version	P1 in bar	P2 in bar	P3 in bar	Maximum Speed	Maximum Intermitt. Peak Speed	min. Pressure	Suction Outlet 1	Suction Outlet 2	Pressure Conn. 1	Pressure Conn. 2	A in mm	B in mm
63,7	A2GPT	035-969-01050	290	315	325	1800	2700	2700	300	1"	3/4"	199,5	136,5	20,1
74,87	A2GPT	035-969-01150	280	300	315	1800	2700	2700	300	1"	3/4"	203,5	140,5	20,7
85,96	A2GPT	035-969-01250	260	280	290	1800	2700	2700	300	1-1/4"	1"	207,5	141	20,9
102,6	A2GPT	035-969-01350	250	270	280	1800	2700	2700	300	1-1/4"	1"	213,5	144,5	21,5
119,24	A2GPT	035-969-01450	240	260	270	1500	2700	2700	300	1-1/4"	1"	219,5	150,5	22
135,88	A2GPT	035-969-01550	220	250	260	1500	2500	2500	300	1-1/2"	1"	225,5	153,5	22,8
149,75	A2GPT	035-969-01650	180	210	220	1500	2500	2500	300	1-1/2"	1"	230,5	158,8	24,1

P1 = max. Pressure (100%)  
P2 = max. Intermittent pressure (max. 20 Sec.)  
P3 = Peak Pressure (max. 6 Sec.)



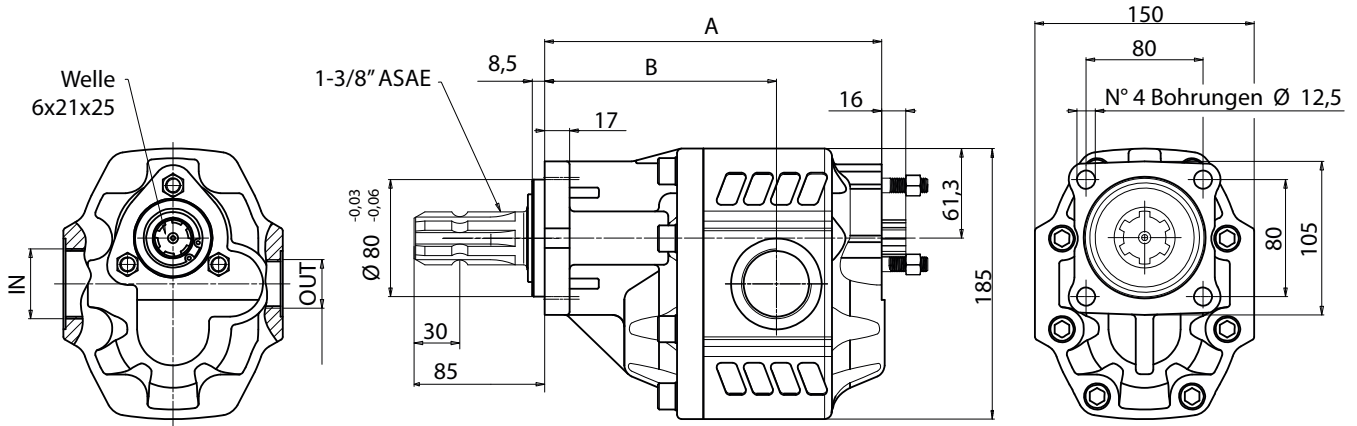
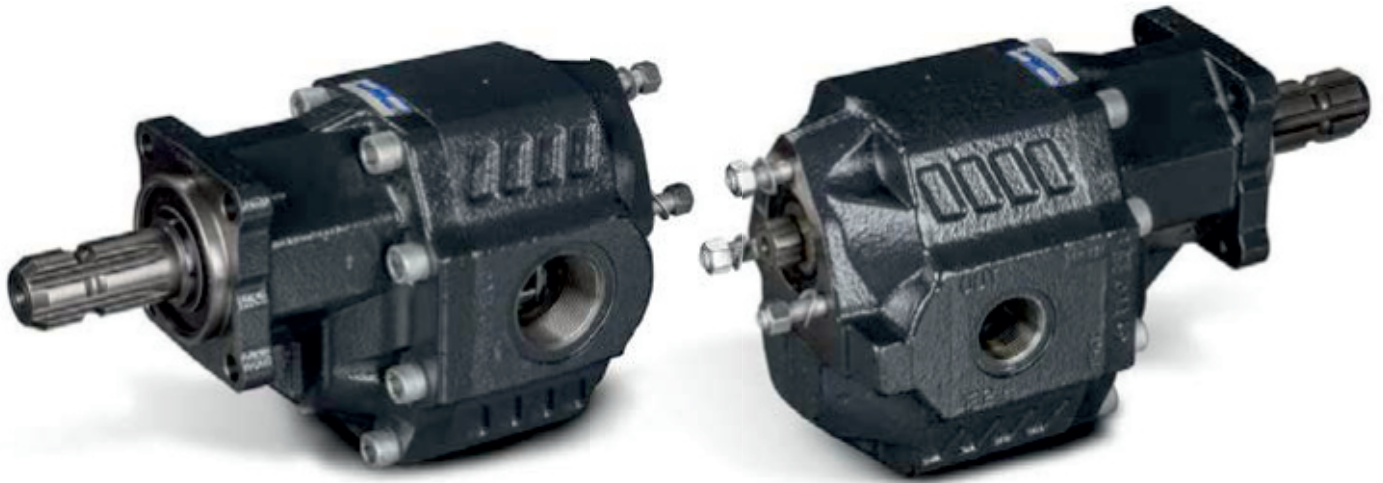
Displacement	Ordering Code		Technical Information						Dimensions					
	Bi-Directional Pump Version	Bi-Directional Motor Version	P1 in bar	P2 in bar	P3 in bar	Maximum Speed	Maximum Intermitt. Peak Speed	min. Pressure	Suction Outlet 1	Suction Outlet 2	Pressure Conn. 1	Pressure Conn. 2	A in mm	B in mm
17,04	A2GPT	035-979-01050	290	315	325	2500	3000	300	1/2"	1/2"	164	103	9,6	
22,15	A2GPT	035-979-01150	290	315	325	2500	3000	300	1/2"	1/2"	167,5	105,5	9,8	
26,18	A2GPT	035-979-01250	290	315	325	2500	3000	300	1/2"	1/2"	170	108	10,1	
33,88	A2GPT	035-979-01350	280	300	310	2200	2800	300	3/4"	3/4"	175	108	10,5	
43,12	A2GPT	035-979-01450	270	290	300	2000	2500	300	3/4"	3/4"	181	114	11,02	
50,82	A2GPT	035-979-01550	240	260	280	2000	2500	300	3/4"	3/4"	186	114,5	11,3	
60,06	A2GPT	035-979-01650	220	240	250	1800	2000	300	1"	1"	192	120,5	11,8	
72,88	A2GPT	035-979-01750	200	220	230	1600	1800	300	1"	1"	200	119,5	12,4	
81,08	A2GPT	035-979-01850	190	210	220	1500	1800	300	1-1/4"	1-1/4"	205	126,5	12,6	

P1 = max. Pressure (100%)  
P2 = max. Intermittent pressure (max. 20 Sec.)  
P3 = Peak Pressure (max. 6 Sec.)



Displacement	Ordering Code		Technical Information						Dimensions					
	Bi-Directional Pump Version	Bi-Directional Motor Version	P1 in bar	P2 in bar	P3 in bar	Maximum Speed	Maximum Intermitt. Peak Speed	min. Pressure	Suction Outlet 1	Suction Outlet 2	Pressure Conn. 1	Pressure Conn. 2	A in mm	B in mm
63,7	A2GPT	035-989-01050	290	315	325	1800	2700	300	1"	3/4"	184	121	17	
74,87	A2GPT	035-989-01150	280	300	315	1800	2700	300	1"	3/4"	188	125	18	
85,96	A2GPT	035-989-01250	260	280	290	1800	2700	300	1-1/4"	1"	192	125,5	18,5	
102,6	A2GPT	035-989-01350	250	270	280	1800	2700	300	1-1/4"	1"	198	129	19	
119,24	A2GPT	035-989-01450	240	260	270	1500	2700	300	1-1/4"	1"	204	135	19,5	
135,88	A2GPT	035-989-01550	220	250	260	1500	2500	300	1-1/2"	1"	210	138	20,5	
149,75	A2GPT	035-989-01650	180	210	220	1500	2500	300	1-1/2"	1"	215	143	21	

P1 = max. Pressure (100%)  
 P2 = max. Intermittent pressure (max. 20 Sec.)  
 P3 = Peak Pressure (max. 6 Sec.)



Displacement	Ordering Code		Technical Information						Dimensions					
	Bi-Directional Pump Version	Bi-Directional Motor Version	P1 in bar	P2 in bar	P3 in bar	Maximum Speed	Maximum Intermitt. Peak Speed	min. Pressure	Suction Outlet 1	Suction Outlet 2	Pressure Conn. 1	Pressure Conn. 2	A in mm	B in mm
63,7	A2GPT	035-999-01050	290	315	325	1800	2700	2700	300	1"	3/4"	199,5	136,5	
74,87	A2GPT	035-999-01150	280	300	315	1800	2700	2700	300	1"	3/4"	203,5	140,5	
85,96	A2GPT	035-999-01250	260	280	290	1800	2700	2700	300	1-1/4"	1"	207,5	141	
102,6	A2GPT	035-999-01350	250	270	280	1800	2700	2700	300	1-1/4"	1"	213,5	144,5	
119,24	A2GPT	035-999-01450	240	260	270	1500	2700	2700	300	1-1/4"	1"	219,5	150,5	
135,88	A2GPT	035-999-01550	220	250	260	1500	2500	2500	300	1-1/2"	1"	225,5	153,5	
149,75	A2GPT	035-999-01650	180	210	220	1500	2500	2500	300	1-1/2"	1"	230,5	158,5	

P1 = max. Pressure (100%)

P2 = max. Intermittent pressure (max. 20 Sec.)

P3 = Peak Pressure (max. 6 Sec.)

## Complete Product Range

### Bent Axis Piston Motors

K2FM (DIN) Bent Axis Motor  
K3FH (HYBRID) Bent Axis Motor  
A2MS (SAE) Bent Axis Motor  
A3MS (SAE2) Bent Axis Motor  
A2FM (ISO) Bent Axis Motor  
A2FE (Fixed Plugin) Bent Axis Motor  
A2FE (Two Speed) Bent Axis Motor  
A2FT 45 (Inline) Bent Axis Motor

### Bent Axis Piston Pumps

K2FA (DIN) Bent Axis Pump  
K2FH (HYBRID) Bent Axis Pump  
K2FL (Aluminum) Bent Axis Pump  
A2FS (SAE) Bent Axis Pump  
A3FS (SAE2) Bent Axis Pump  
A2FO (ISO) Bent Axis Pump  
A3FO (ISO2) Bent Axis Pump  
A2FP (Fixed Plugin) Bent Axis Pump

### Variable Displacement Motors

AXMV Variable Piston Motor  
AXMA Variable Piston Motor  
AXMI Variable Piston Motor

### Variable Displacement Pumps

AXVP Variable Piston Motor  
AXVA Variable Piston Motor  
AXVI Variable Piston Motor

### Dual Flow Piston Pumps

A2FD (DIN) Dual Flow Pumps  
A2FD (SAE) Dual Flow Pumps  
A2PD Axial Dual Output Pumps

### Axial Piston & Gear Pumps

A3PP Axial Piston Pumps  
A3PH High Pressure Pumps  
A2GP Gear Pumps  
A2GPT Tandem Gear Pumps  
A2GM Gear Motors  
A2GMT Tandem Gear Motors

### Valve (ByPass) (Flushing) (Cavitation)

Circulation Valve  
ByPass Valve  
Anti-Cavitation Valve  
Flushing Valve  
LS Valve  
AntiShock Valve  
Speed Sensor

### Hydraulic Spare Parts

Suction Fittings  
Couplars  
Adapters  
Flanges  
Power Take Off  
Monoblock Valve  
Section Valve

## Hydraulic Pumps, Motors

Bent Axis Hydraulic Piston Motors, Bent Axis Hydraulic Piston Pumps, Dual Flow Pumps, Variable Displacement Piston Pumps, Variable Displacement Piston Motors, Axial Piston Pumps, High Pressure Piston Pumps, Gear Pumps, Gear Motors, Hydraulic Valve.

[www.HIDRAPAC.com](http://www.HIDRAPAC.com)

### Address;

#### HIDRAPAC HİDROLİK İÇ VE DIŞ TİC LTD ŞTİ

Address; Fevzicakmak Mah. Sıla Cad. Kobisan 3 San. Sit.  
No:73 / C Karatay – Konya, PO Code; 42050, Türkiye

Phone; +90 551 111 77 44

VAT Number; 462 077 9143

[www.HIDRAPAC.com](http://www.HIDRAPAC.com)

[MAIL@HIDRAPAC.com](mailto:MAIL@HIDRAPAC.com)

[INFO@HIDRAPAC.com](mailto:INFO@HIDRAPAC.com)

Hidrapac **Store**

[www.HIDRAPAC.com.tr](http://www.HIDRAPAC.com.tr)

Hidrapac **Premium**

[www.HIDRAPACHYDRAULIC.com](http://www.HIDRAPACHYDRAULIC.com)