

## A2FT 45 (Inline) Bent Axis Motors 2022

High Pressure Hydraulic Bent Axis Piston Motors, High Pressure, 450/500 BAR Working Pressure. High Rotational Speed, High Efficiency, Slim Design, Cast Iron Motor Body, Re-Designed in 2022.

### Designation;

45cc



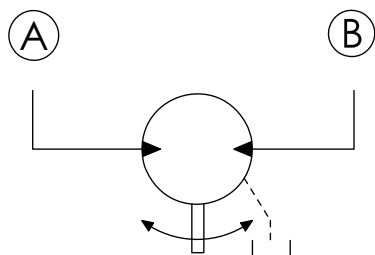
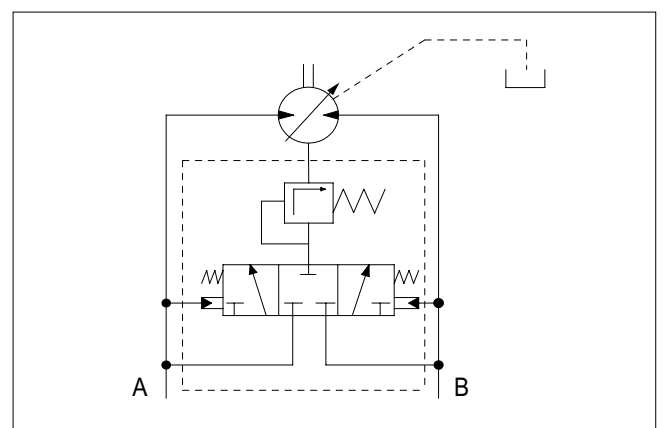
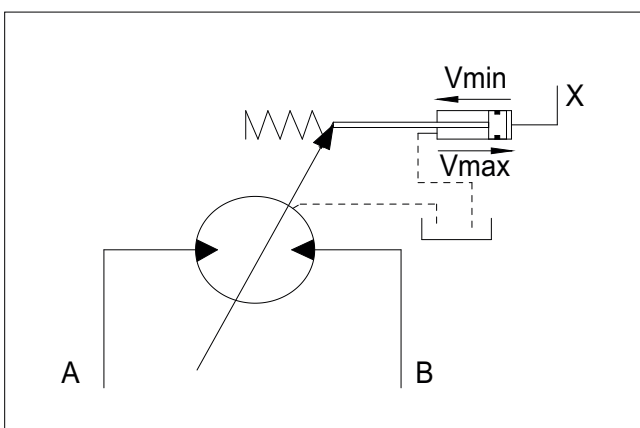
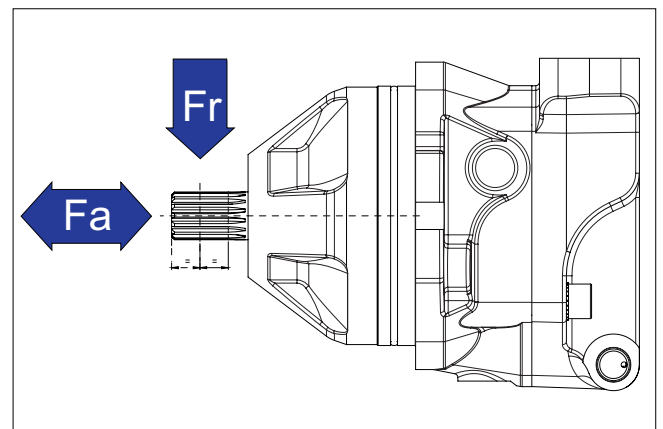
Hidrapac **Store**

[www.HIDRAPAC.com.tr](http://www.HIDRAPAC.com.tr)

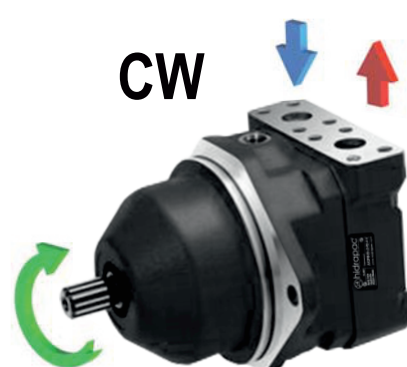
## Characteristics of the A2FT 45 (Inline) Flange Bent Axis Motors

| MOTOR MODEL | DISPL. (cc) | CONTINUOUS MAX. SPEED (rpm) | INTERMITTENT MAX. SPEED (rpm) | MAX. FLOW ABSORBED (l/min) | TORQUE BAR (m.N/bar) | TORQUE AT 350 BAR (m.N) | THEORETICAL MAX. POWER AT 400 BAR (HP / kW) | MAX. ALLOW PRESSURE CONTN./PEAK (bar) | WEIGHT (kg) |
|-------------|-------------|-----------------------------|-------------------------------|----------------------------|----------------------|-------------------------|---|---------------------------------------|-------------|
| 45 cc       | max. 45.0   | 3500                        | 4300                          | 180                        | 0.72                 | 216                     | 92  | 400 / 450                             | 18.0        |
|             | min. 45.0   | 4000                        | 4500                          | 184                        | 0.78                 | 224                     | 98  | 400 / 450                             | 18.0        |

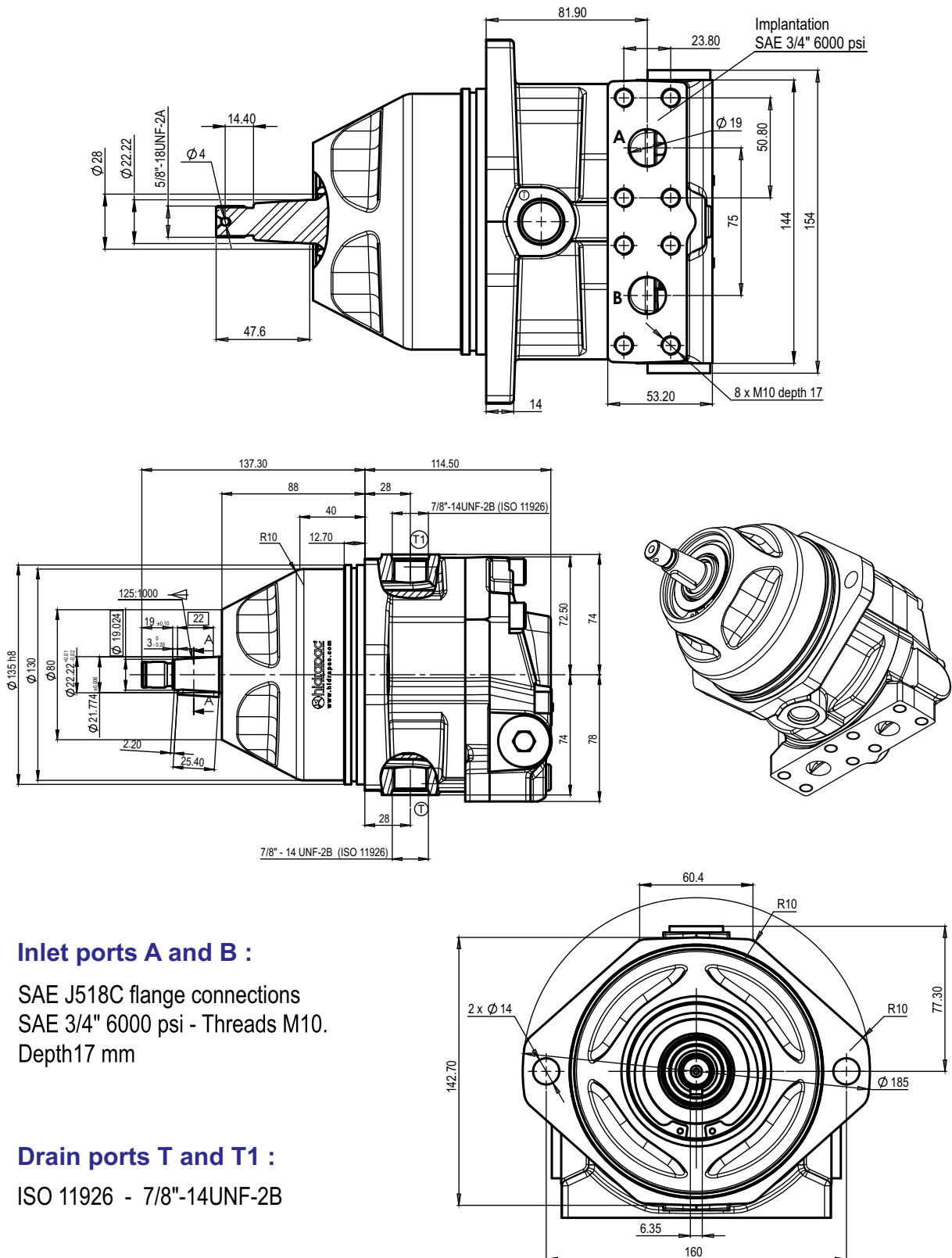
| Motor |     | 45   | 50   |
|-------|-----|------|------|
| Fr    | N   | 1050 | 1050 |
|       | lbf | 236  | 236  |
| Fa    | N   | 2500 | 2500 |
|       | lbf | 562  | 562  |



Dual direction of rotation



# A2FT - 45 cc (Inline)



## Complete Product Range

### **Bent Axis Piston Motors**

K2FM (DIN) Bent Axis Motor  
K3FH (HYBRID) Bent Axis Motor  
A2MS (SAE) Bent Axis Motor  
A3MS (SAE2) Bent Axis Motor  
A2FM (ISO) Bent Axis Motor  
A2FE (Fixed Plugin) Bent Axis Motor  
A2FE (Two Speed) Bent Axis Motor  
A2FT 45 (Inline) Bent Axis Motor

### **Bent Axis Piston Pumps**

K2FA (DIN) Bent Axis Pump  
K2FH (HYBRID) Bent Axis Pump  
K2FL (Aluminum) Bent Axis Pump  
A2FS (SAE) Bent Axis Pump  
A3FS (SAE2) Bent Axis Pump  
A2FO (ISO) Bent Axis Pump  
A3FO (ISO2) Bent Axis Pump  
A2FP (Fixed Plugin) Bent Axis Pump

### **Variable Displacement Motors**

AXMV Variable Piston Motor  
AXMA Variable Piston Motor  
AXMI Variable Piston Motor

### **Variable Displacement Pumps**

AXVP Variable Piston Motor  
AXVA Variable Piston Motor  
AXVI Variable Piston Motor

### **Dual Flow Piston Pumps**

A2FD (DIN) Dual Flow Pumps  
A2FD (SAE) Dual Flow Pumps  
A2PD Axial Dual Output Pumps

### **Axial Piston & Gear Pumps**

A3PP Axial Piston Pumps  
A3PH High Pressure Pumps  
A2GP Gear Pumps  
A2GPT Tandem Gear Pumps  
A2GM Gear Motors  
A2GMT Tandem Gear Motors

### **Valve (ByPass) (Flushing) (Cavitation)**

Circulation Valve  
ByPass Valve  
Anti-Cavitation Valve  
Flushing Valve  
LS Valve  
AntiShock Valve  
Speed Sensor

### **Hydraulic Spare Parts**

Suction Fittings  
Couplars  
Adapters  
Flanges  
Power Take Off  
Monoblock Valve  
Section Valve

## Hydraulic Pumps, Motors

Bent Axis Hydraulic Piston Motors, Bent Axis Hydraulic Piston Pumps, Bent Axis Motors, Variable Displacement Piston Pumps, Variable Displacement Piston Motors, Axial Piston Pumps, High Pressure Piston Pumps, Gear Pumps, Gear Motors, Hydraulic Valve.

[www.HIDRAPAC.com](http://www.HIDRAPAC.com)

### Address;

#### HIDRAPAC HİDROLİK İÇ VE DIŞ TİC LTD ŞTİ

Address; Fevzicakmak Mah. Sıla Cad. Kobisan 3 San. Sit.  
No:73 / C Karatay – Konya, PO Code; 42050, Türkiye

Phone; +90 551 111 77 44

VAT Number; 462 077 9143

[www.HIDRAPAC.com](http://www.HIDRAPAC.com)

[MAIL@HIDRAPAC.com](mailto:MAIL@HIDRAPAC.com)

[INFO@HIDRAPAC.com](mailto:INFO@HIDRAPAC.com)

Hidrapac **Store**

[www.HIDRAPAC.com.tr](http://www.HIDRAPAC.com.tr)

Hidrapac **Premium**

[www.HIDRAPACHYDRAULIC.com](http://www.HIDRAPACHYDRAULIC.com)